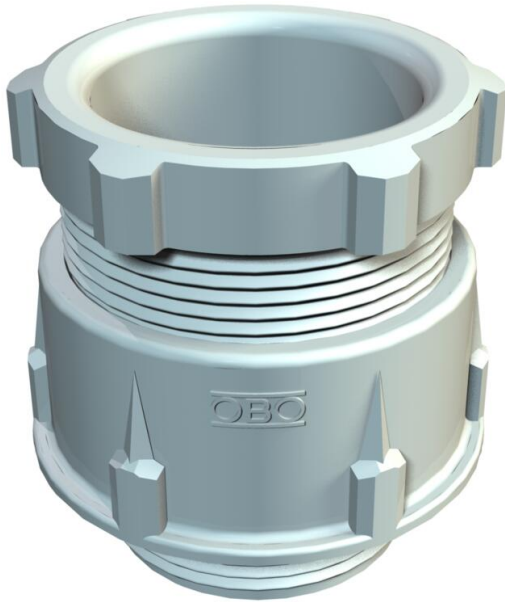


Technical data sheet

Cone cable gland, metric thread, light grey

Item number: 2035375



Standard cable gland, shape A, to DIN 46320 with simple NR/SBR sealing ring with metric connection thread to IEC 423.

Protection rating: with connection thread sealing ring IP65, without connection thread sealing ring IP54.

Note: Only tighten polystyrene cable glands lightly due to the risk of stress crack formation.
Shock-resistant



PS Polystyrene

Master data

Item number	2035375
Type	106 M 50 PS
Description 1	Cable gland
Manufacturer	OBO
Dimension	M50
Colour	Light grey; RAL 7035
Material	Polystyrene
Smallest sales unit	5
Unit of quantity	Piece
Weight	6.594 kg
Weight unit	kg/100 pc.
CO2 Footprint (GWP) Cradle-to-Gate	0,2979 kg CO2e / 1 Piece

Technical data sheet

Cone cable gland, metric thread, light grey



Item number: 2035375

Dimensions



Length	65 mm
Width	68 mm
Height	59 mm
Dimension D1	38 mm
Dimension D2	68 mm
Dimension D3	44.5 mm
Dimension D4	40.5 mm
Dimension G	M50x1,5 mm
Dimension L max.	48 mm
Dimension L1	13 mm
Dimension L2	27 mm
Dimension L3	9 mm
Dimension L4	18.5 mm

Technical data

Type of seal	Sealing ring
Version for	Straight
Bend protection	no
Sealing area D, max.	38 mm
Sealing area D, min.	30 mm
explosion-proof	no
For Ex zone	Without
For Ex zone gas	Without
For Ex zone dust	Without
Thread	M50 x 1,5
Thread type	Metric
Thread length	13 mm
Nominal thread size	50
Fibre-glass reinforced	no
Halogen-free	yes
Sealing insert, multiple	no
With locknut	no
Impact-resistant	yes
WAF 1	60 mm
WAF 2	55 mm
Protection rating	IP65
Splittable gland	no
Strain relief option	no