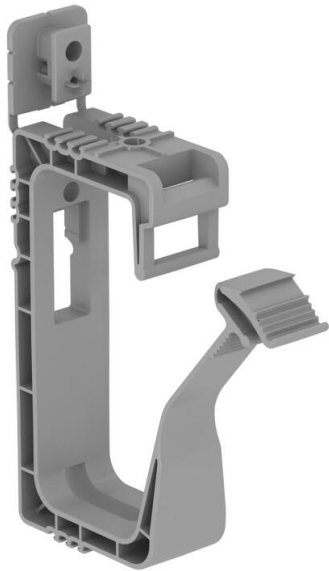


# Technical data sheet

## Grip 40 flame-resistant

Item number: 2205423



Cable tidy with moulded fastening element, for mounting up to 40 cables NYM 3 x 1.5 mm<sup>2</sup> on wall or ceilings. Fastening with impact anchor or push-fit anchor. Fastening hole: Ø 6 mm. Recommended fastening distance of 250–400 cm when fully assigned, depending on the respective national specifications/norms. Flame resistant to DIN VDE 0471/DIN IEC 695 Part 2-1, test temperature 960 °C. With multifunctional fastening element. Capacity: 2031/ 40 max. 40 cables NYM 3 x 1.5 mm<sup>2</sup>



**PP** Polypropylene

### Master data

Item number	2205423
Type	2031 F 40
Description 1	Grip collecting clamp
Description 2	flame-resistant to 960°C
Manufacturer	OBO
Dimension	40x NYM3x1,5
Colour	Stone grey; RAL 7030
Material	Polypropylene
Smallest sales unit	25
Unit of quantity	Piece
Weight	3.61 kg
Weight unit	kg/100 pc.
CO2 Footprint (GWP) Cradle-to-Gate	0,1631 kg CO2e / 1 Piece

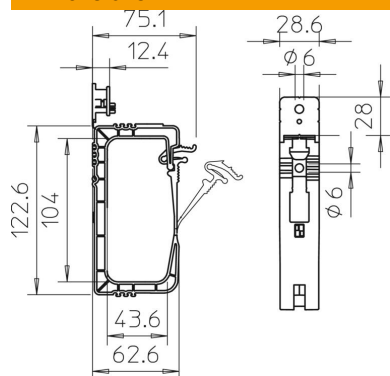
# Technical data sheet

## Grip 40 flame-resistant

Item number: 2205423



### Dimensions



### Technical data

No. of conductors NYM 3 x 1.5	40
Flame-resistant version	yes
Breaking load	0.32 kN
Flame-resistant	Acc. to VDE 0471/DIN 695 Part 2-1, test temperature 960 °C
Maintain electrical functions	no
Halogen-free	yes
With anchor	no