

Technical data sheet

Sprung hinged anchor

Item number: 3481778



With ceiling hook, washer and hexagonal nut; brass axle.

CE

St Steel

G Electrogalvanized

Master data

Item number	3481778
Type	452 M4x70 G
Description 1	Sprung hinged anchor
Description 2	with ceiling hook
Manufacturer	OBO
Dimension	M4x70mm
Material	Steel
Surface	Electrogalvanized
Surface standard	EN ISO 19598 / EN ISO 4042
Smallest sales unit	50
Unit of quantity	Piece
Weight	1.95 kg
Weight unit	kg/100 pc.

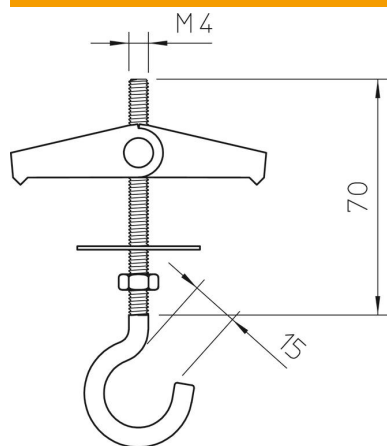
Technical data sheet

Sprung hinged anchor

Item number: 3481778



Dimensions



Length 70 mm

Technical data

Version for	With ceiling hook
Drill hole	14 mm
Drill hole diameter, min.	14 mm
Breaking load	0.4 kN
Thread	M4
Thread type	Metric
Minimum cavity depth	35 mm
With washer	yes
Protection ring for ceramics	no