

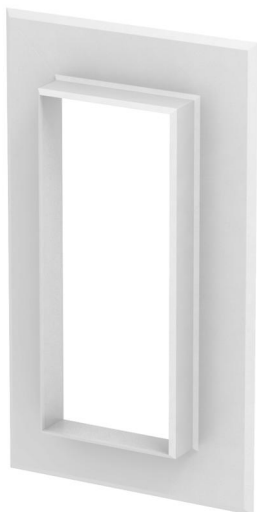
# Technical data sheet

Wall end piece, closed, plastic, 70170

Item number: 6274870



Wall cover, closed, to close wall penetrations during panel mounting.



Acrylonitrile butadiene styrene

## Master data

Item number	6274870
Type	G-KWAG70170RW
Description 1	Wall cover
Description 2	closed version
Manufacturer	OBO
Dimension	138x238x25
Colour	Pure white; RAL 9010
Material	Acrylonitrile butadiene styrene
Smallest sales unit	1
Unit of quantity	Piece
Weight	10.4 kg
Weight unit	kg/100 pc.

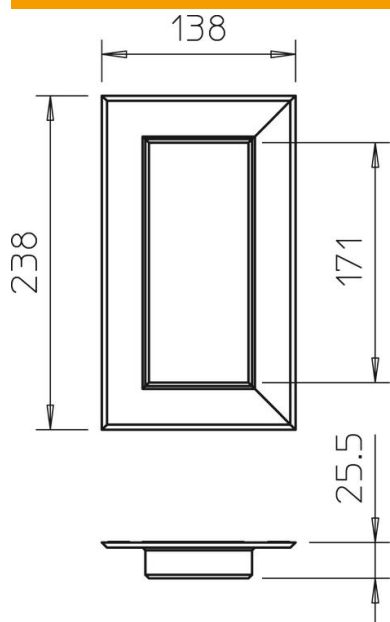
# Technical data sheet

Wall end piece, closed, plastic, 70170

Item number: 6274870



## Dimensions



Length	25 mm
Width	238 mm
Height	138 mm

## Technical data

Version for	Universal
Halogen-free	yes
Trunking depth	70 mm
Mounting type of the trunking	Wall