

Technical data sheet

Height adjustment unit for lid butt support, trunking height
170-245 mm
Item number: 7424846



For central support of a lid butt support of nominal width 400, 500 or 600.



St Steel

FS Strip galvanized

Technical data sheet

Height adjustment unit for lid butt support, trunking height
170-245 mm

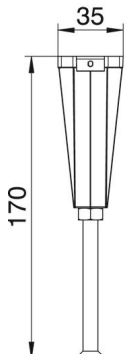
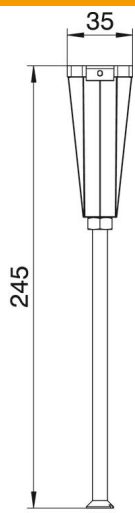
Item number: 7424846



Master data

| | |
|---------------------|----------------------------|
| Item number | 7424846 |
| Type | NE DSU2 17075 |
| Description 1 | DSU height-adjustment unit |
| Description 2 | for OKA-G |
| Manufacturer | OBO |
| Material | Steel |
| Surface | Strip galvanized |
| Surface standard | DIN EN 10346 |
| Smallest sales unit | 3 |
| Unit of quantity | Piece |
| Weight | 7.45 kg |
| Weight unit | kg/100 pc. |

Dimensions

| | | | |
|--|--|-------|-------|
|  |  | Width | 35 mm |
|--|--|-------|-------|

Technical data

| | |
|---|---------------|
| Type of accessory | Miscellaneous |
| Decouplable | no |
| Suitable for screed-flush closed underfloor ducts | no |
| Device support to accept mounting boxes | no |
| Trunking height, max. | 245 mm |
| Duct height, min. | 170 mm |
| Minimum screed height | 40 |
| Height-adjustment range, max. | 245 mm |
| Height-adjustment range, min. | 170 mm |
| Accessories | yes |
| Spare part | no |