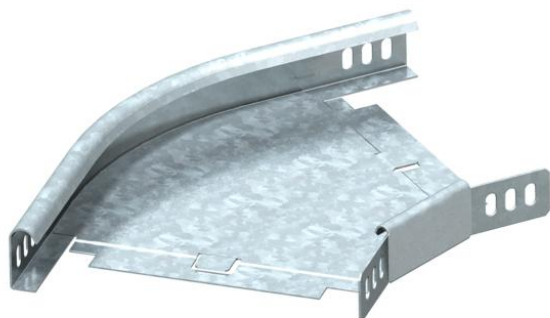


Technical data sheet

45° bend 35 FS

Item number: 6043720



45° bend, horizontal, for all cable tray types of 35 mm side height.
The WKV 35 angle connector is designed for 90° bends and can be adjusted to 45° on site. The fitting is shipped in an unmounted state.
Including appropriate fastening material.



- St** Steel
- FS** Strip galvanized

Master data

Item number	6043720
Type	RB 45 330 FS
Description 1	45° bend
Description 2	horizontal + angle connector
Manufacturer	OBO
Dimension	35x300
Material	Steel
Surface	Strip galvanized
Surface standard	DIN EN 10346
Smallest sales unit	1
Unit of quantity	Piece
Weight	90 kg
Weight unit	kg/100 pc.

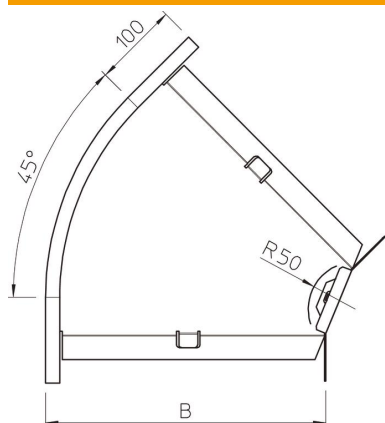
Technical data sheet

45° bend 35 FS

Item number: 6043720



Dimensions



Width	300 mm
Width	12 in
Height	35 mm
Height	1 in
Dimension B	300 mm
Dimension R	50 mm

Technical data

Bend (angle)	45°
Connector version	Supplied connectors
Maintain electrical functions	no
Mounting perforation in base	no
NATO hole pattern	no
Change of direction	Horizontal
Rustproof steel, pickled	no
Side perforation	no
Permitted temperature range, max.	120 °C
Permitted temperature range, min.	-20 °C
Wide-span version	no
Type of connector, cable support system	Screwed