

# Technical data sheet

## Height-adjustable cassette for tube body, RKFR, stainless steel

Item number: 7409428



Height-adjustable cassette of nominal size R7 for tube body for installation of accessories in dry or wet-cleaned floors for indoor use.

Height-adjustable cassette for tube body, 3-compartment. 2 APMT2 cover plates and 1 APMT5 cover plate can be installed. For the installation of 2 UT3 universal supports and one UT4 universal support for 7 individual installation devices with support ring/support clamp or 10 Modul 45 devices.



VA

Stainless steel, grade 354/1

### Master data

|                     |                              |
|---------------------|------------------------------|
| Item number         | 7409428                      |
| Type                | RKFR2 7 V25                  |
| Description 1       | Round cassette               |
| Description 2       | for tube                     |
| Manufacturer        | OBO                          |
| Dimension           | Ø275mm                       |
| Material            | Stainless steel, grade 354/1 |
| Smallest sales unit | 1                            |
| Unit of quantity    | Piece                        |
| Weight              | 325 kg                       |
| Weight unit         | kg/100 pc.                   |

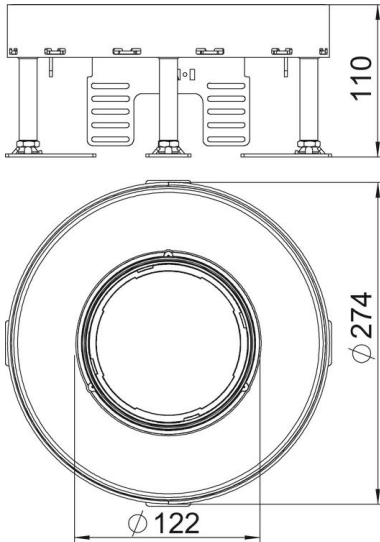
# Technical data sheet

Height-adjustable cassette for tube body, RKFR, stainless steel

Item number: 7409428



## Dimensions



|        |        |
|--------|--------|
| Length | 274 mm |
| Width  | 274 mm |

## Technical data

|  |                     |
|--|---------------------|
| Number of installable devices              | 10                  |
| Number of mounting boxes                   | 3                   |
| Number of cable outlets                    | 1                   |
| Version for                                | Round               |
| Cable outlet version                       | Lowerable tube body |
| Floor care                                 | Wet                 |
| Decouplable                                | no                  |
| Floor height, max.                         | 155 mm              |
| Floor height, min.                         | 110 mm              |
| Suitable for raised floor installation     | yes                 |
| Suitable for cavity floor installation     | yes                 |
| Suitable for underfloor box                | 350                 |
| Device support to accept mounting boxes    | yes                 |
| Nominal size for device installation units | R7                  |
| Height-adjustment range, max.              | 155 mm              |
| Height-adjustment range, min.              | 110 mm              |
| Protection rating (IP) when used           | IP20                |
| Protection rating (IP) when unused         | IP40                |
| Protection rating IK code                  | IK10                |
| Heavy-duty version                         | no                  |
| Installation system type                   | UT3 / UT4           |
| Vertical load, large area                  | to 5,000 N          |
| Vertical load, small area                  | to 3,000 N          |
| Approvals                                  | VDE                 |