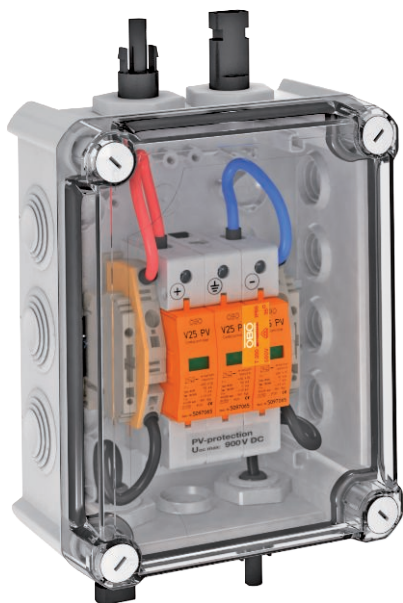


Technical data sheet

PV system solution, type 1+2, with MC4 connector for inverter with 1 MPP tracker, 900 V DC

Item no. 5088564



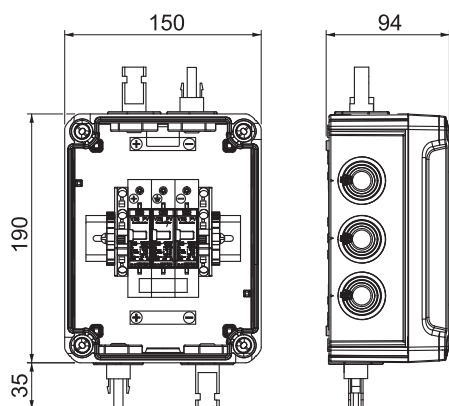
System solution, type 1+2, with MC4 connector for photovoltaic inverter with one MPP tracker

- Varistor arrester, connectable with cut-off unit in error-resistant Y circuit to VDE 0100-712 (50539-12)
- Type 1+2 combination arrester for lightning protection equipotential bonding to EN 62305 (VDE 0185-305)
- Low DC protection level: < 3.0 kV (Voc max = 900 V DC with V25-B+C/0-450PV)
- One PV string input (MC4 plug connector) at one MPP inverter input, up to 30 A DC per terminal
- Pre-mounted in polycarbonate housing (IP65), UV-resistant for use outside

For DC protection of the inverter of photovoltaic systems.
If there is a danger of condensation forming through wind, ice, temperature or sunlight, further measures may be necessary!



Dimensions



Master data

| | |
|--------------------------|-------------------------------|
| Item no. | 5088564 |
| Type | VG-BC900S1 |
| Description 1 | PV system solution in housing |
| Description 2 | 1x1 PV string to 1 WR-MPP+MC4 |
| Dimension | 900V DC |
| Colour | Light grey |
| RAL number | 7035 |
| Smallest sales unit (VG) | 1 Piece |
| Weight | 105,00 kg/100 pc. |

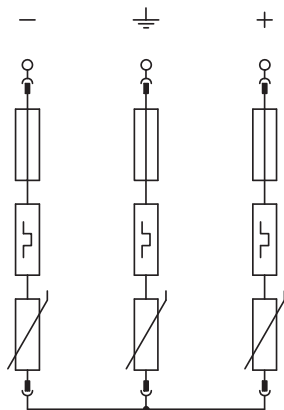
Technical data sheet

PV system solution, type 1+2, with MC4 connector for inverter with 1 MPP tracker, 900 V DC

Item no. 5088564



Technical data



| | |
|---------------------------------------------------------|-------------------------------------|
| SPD to EN 61643-11 | Type 1+2 |
| SPD to IEC 61643-11 | Class I+II |
| Test class, type 1 | <input checked="" type="checkbox"/> |
| Test class, type 2 | <input checked="" type="checkbox"/> |
| Maximum continuous voltage DC | 900,00 V |
| U max DC | 900,00 V |
| Nominal discharge current (8/20) | 30 kA |
| Nominal discharge current (8/20 µs) [L-N] | 30,00 kA |
| Maximum discharge current (8/20 µs) | 50,00 kA |
| Impulse discharge current (10/350) | 7,00 kA |
| Arrester surge current (8/20) [total] | 60,00 kA |
| Protection level | < 3,0 kV |
| Response time | < 25 ns |
| Temperature range | -40+80 °C |
| Pole number | 3 |
| Version | For one MPP and with MC4 connection |
| Mounting type | Pre-mounted in the housing |
| Installation type | Pre-mounted in the housing |
| Protection rating | IP66 |
| Protection rating | IP66 |
| Blow-out | <input type="checkbox"/> |
| Size | Other |
| Remote signalling | <input type="checkbox"/> |
| Max. cable cross-section flexible (fine-wire) | 25,00 mm ² |
| Max. cable cross-section rigid (single wire/multi-wire) | 35,00 mm ² |
| Max. PV voltage | 900,00 V |
| Signalling on device | Visual |