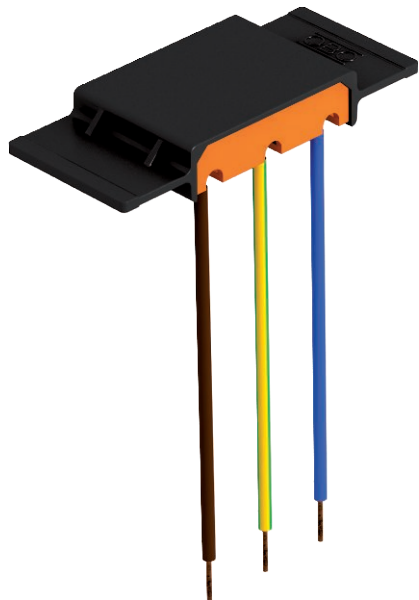


Technical data sheet

Surge protection module 230 V with holder for GB2
and GB3 mounting boxes
Item no. 5092472



Surge protection module type 3 to DIN EN 61643-11 for 230 V power grids.

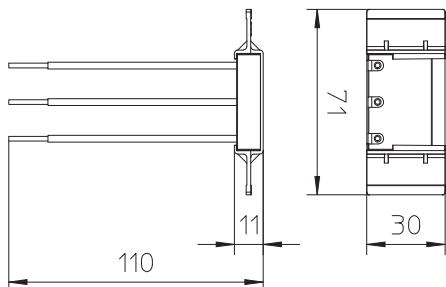
- With acoustic defect signal
- With low construction height and Y circuit
- With halogen-free plastic (UL 94 V-0)
- Holder with separating retainer function for GB2 / GB3 mounting boxes and UT3 and UT4 universal supports

Application: Universally applicable for all installation systems.

2-pin, 16 A/250 V~, with acoustic defect signal.



Dimensions



Master data

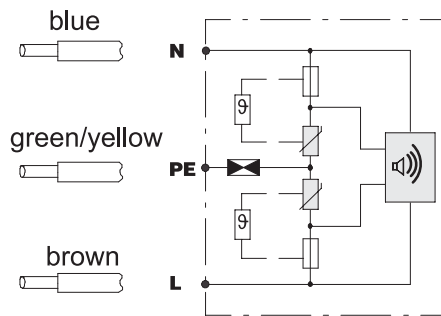
Item no.	5092472
Type	ÜSM-A-4
Description 1	Surge protective Modul
Description 2	with holder
Dimension	255V
Smallest sales unit (VG)	1 Piece
Weight	2,00 kg/100 pc.

Technical data sheet

Surge protection module 230 V with holder for GB2
and GB3 mounting boxes
Item no. 5092472



Technical data



SPD to EN 61643-11	Type 3
SPD to IEC 61643-11	Class III
Nominal voltage	230,00 V
Maximum continuous voltage AC	255,00 V
Max. continuous operating voltage	255,00 V
Nominal discharge current (8/20)	3 kA
Rated current	16,00 A
Maximum discharge current (8/20 μ s)	6,00 kA
Combined voltage protection level [L-PE]	1.500,00 kV
Protection level	<1,5 kV
Protection level [L-N]	1.500,00 kV
Protection level (L-N)	< 1,3 kV
Protection level (N-PE)	< 1,5 kV
Response time	< 25 ns
Maximum back-up fuse	16,00 A
Temperature range	-15-+60 °C
Pole version	1
Version	Incl. holder with partition function
Version	1-pole
Mounting type	Other
Installation type	Other
Signalling on device	Acoustic