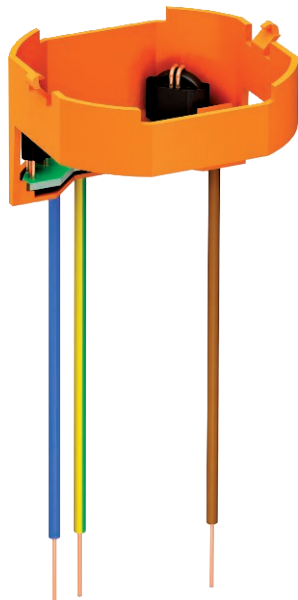


Technical data sheet

Fine power protection 230 V protective contact sockets

Item no. 5092441



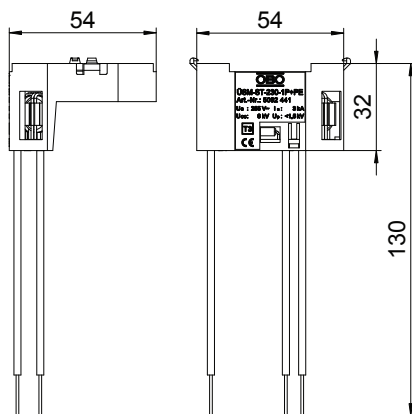
Surge protection / fine power protection, type 3, to EN 61643-11 for protective contact sockets.

- Thermal cut-off unit with acoustic defect signalling
- Y protection circuit for increased safety
- Mounting through snapping onto the support ring of the socket
- Halogen-free plastic (UL 94 V-0)
- Labelling of the socket with supplied sign

Application: For retrofitting on standard Schuko sockets.



Dimensions



Master data

Item no.	5092441
Type	ÜSM-ST-230-1P+PE
Description 1	Surge protective Modul
Description 2	for protective contact sockets
Dimension	230V
Smallest sales unit (VG)	1 Piece
Weight	1,77 kg/100 pc.

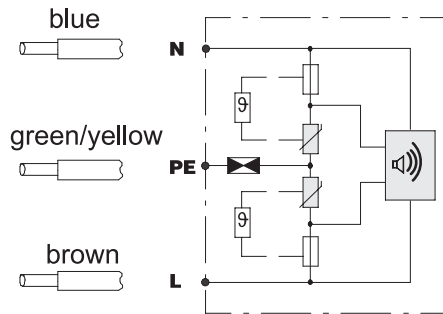
Technical data sheet

Fine power protection 230 V protective contact sockets

Item no. 5092441



Technical data



SPD to EN 61643-11	Type 3
SPD to IEC 61643-11	Class III
Test class, type 3	<input checked="" type="checkbox"/>
Nominal voltage	230,00 V
Maximum continuous voltage AC	255,00 V
Max. continuous operating voltage	255,00 V
U max AC	255,00 V
Nominal discharge current (8/20)	3 kA
Rated current	16,00 A
Maximum discharge current (8/20 µs)	5,00 kA
Arrester surge current (8/20) [total]	5,00 kA
Combined voltage protection level [L-PE]	1.500,00 kV
Protection level	< 1,5 kV
Protection level [L-N]	1.500,00 kV
Protection level (L-N)	< 1,5 kV
Protection level (N-PE)	< 1,5 kV
Response time	25 ns
Maximum back-up fuse	16,00 A
Temperature range	-5+40 °C
Pole number	2
Version	Acoustic function display
Mounting type	Wall socket
Protection rating	IP20
Protection rating	IP20
Telecommunications contact	<input type="checkbox"/>
Signalling on device	Acoustic