

Technical data sheet

Underfloor box UDS4 for installation pipe and metal duct

Item number: 7400349



Underfloor outlet box with fixed, unchangeable 201 x 201 mm installation opening for an installation unit of nominal size 4. The mounting opening is created using the screed protection cover contained in the scope of supply. The underfloor box possesses installation openings for a 2 or 3-compartment sheet steel underfloor duct of nominal size 25038 as well as six M20 or M25 installation pipes on all four sides. The box is principally suited for use in floor structures in cement screed with a structure height of up to 90 mm.



St Steel

FS Strip galvanized

Master data

Item number	7400349
Type	UDSSD 25038 4
Description 1	Underfloor box
Description 2	for GES4
Manufacturer	OBO
Dimension	308x308x92
Material	Steel
Surface	Strip galvanized
Surface standard	DIN EN 10346
Smallest sales unit	1
Unit of quantity	Piece
Weight	277.4 kg
Weight unit	kg/100 pc.

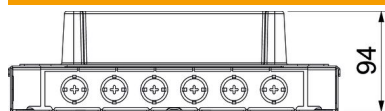
Technical data sheet

Underfloor box UDS4 for installation pipe and metal duct

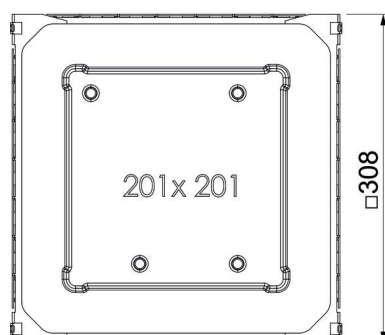
Item number: 7400349



Dimensions



Length	308 mm
Width	308 mm
Height	92 mm



Technical data

Seal installation option	yes
Screed height, max.	90 mm
Screed height, min.	65 mm
For pipe connection	yes
Nominal size for device installation units	4