

Technical data sheet

Underfloor box UDSR4 for installation pipe and metal duct

Item number: 7400355



Underfloor outlet box with fixed, unchangeable installation opening of \varnothing 215 mm for an installation unit of nominal size R4. The mounting opening is created using the screed protection cover contained in the scope of supply. The underfloor box possesses installation openings for a 2 or 3-compartment sheet steel underfloor duct of nominal size 25038 as well as six M20 or M25 installation pipes on all four sides. The box is principally suited for use in floor structures in cement screed with a structure height of up to 90 mm.



St Steel

FS Strip galvanized

Master data

Item number	7400355
Type	UDSSD 25038 R4
Description 1	Underfloor box
Description 2	for GESR4
Manufacturer	OBO
Dimension	329x329x92
Material	Steel
Surface	Strip galvanized
Surface standard	DIN EN 10346
Smallest sales unit	1
Unit of quantity	Piece
Weight	224.5 kg
Weight unit	kg/100 pc.

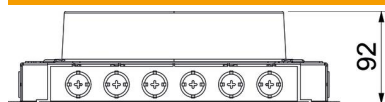
Technical data sheet

Underfloor box UDSR4 for installation pipe and metal duct

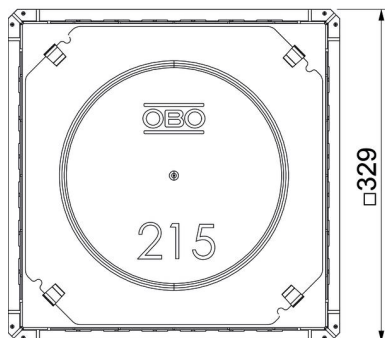
Item number: 7400355



Dimensions



Dimension d Ø | 215 mm



Technical data

Screed height, max.	90 mm
Screed height, min.	65 mm
Nominal size for device installation units	R4