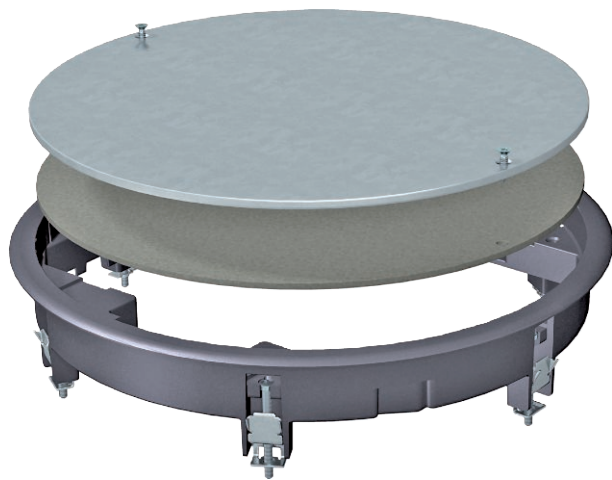


Technical data sheet

ZESRA7 inspection cover

Item no. 7406824



Draw box insert for blank closing of a round mounting opening of nominal size R7 in trunking systems and in raised and cavity floors. With universal fastening bracket. Carpet protection frame made of die-cast aluminium.

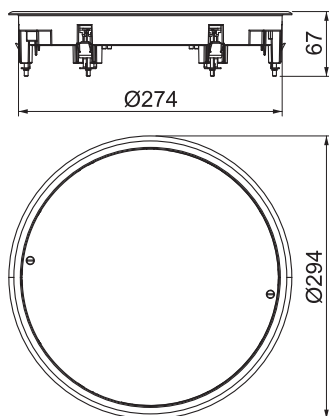


AIG Die-cast aluminium

Master data

Item no.	7406824
Type	ZESRA7 10U
Description 1	Junction box insert
Description 2	for universal mounting
Dimension	274x54,3
Material	Die-cast aluminium
Material symbol	AIG
Smallest sales unit (VG)	1 Piece
Weight	225,80 kg/100 pc.

Technical data



Dimension h	78,00 mm
External diameter	294,00 mm
Installation diameter	275
Number of installable devices	0
Version for	Round
Cable outlet version	No cable outlet
Floor covering thickness	10,00 mm
Floor care	Dry
Installation depth	78,00 mm
Floor height	75 mm
Suitable for wet care	<input type="checkbox"/>
Suitable for screed-covered underfloor ducts	<input checked="" type="checkbox"/>
Suitable for raised floor installation	<input checked="" type="checkbox"/>
Suitable for cavity floor installation	<input checked="" type="checkbox"/>
Suitable for underfloor ducts	<input checked="" type="checkbox"/>
Nominal size for device installation units	R7
Suitable for underfloor box	350
Opening mechanism	Tool
Frame version	Carpet protection frame