

Technical data sheet

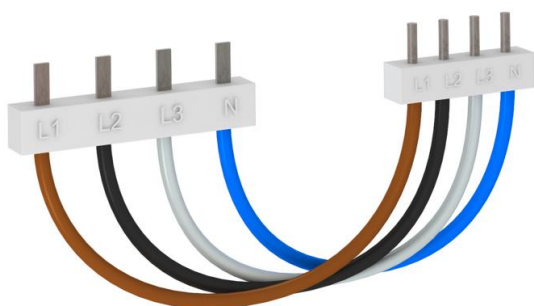
Connecting bridge for V10 Compact 200 mm

Item number: 5089650



To bridge V10 Compact e.g. to FI protection switches in a 17.5 mm grid.

- 4-pole version (L1; L2; L3; N)
- Conductor: H07V-K 4 mm²
- V10 Compact connection via pin contact (diameter: 2.7 mm)
- FI protection switch connection via flat contact (4 x 1.5 mm)



Master data

Item number	5089650
Type	VB-V10 COMPACT-2
Description 1	Connecting bridge
Description 2	for V10 Compact
Manufacturer	OBO
Dimension	200mm
Smallest sales unit	1
Unit of quantity	Piece
Weight	5.3 kg
Weight unit	kg/100 pc.

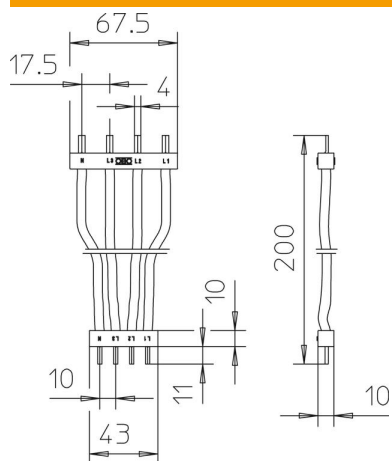
Technical data sheet

Connecting bridge for V10 Compact 200 mm

Item number: 5089650



Dimensions



Length	200 mm
Width	67.5 mm
Height	10 mm

Technical data

Connecting cable length	0.2 m
Version for	200 mm
Pole version	4
Protection rating	IP20