

# Technical data sheet

## Internal corner cover, for trunking type WDK 12022

Item number: 6154342



Internal corner cover for changing the direction of the WDK trunking. The fitting can be adjusted variably.



**PC/ABS** Polycarbonate/Acrylnitrile-butadiene-styrene

### Master data

Item number	6154342
Type	WDK HI12022RW
Description 1	Internal corner cover
Manufacturer	OBO
Dimension	33x26x33
Colour	Pure white; RAL 9010
Material	Polycarbonate/Acrylnitrile-butadiene-styrene
Smallest sales unit	4
Unit of quantity	Piece
Weight	0.286 kg
Weight unit	kg/100 pc.

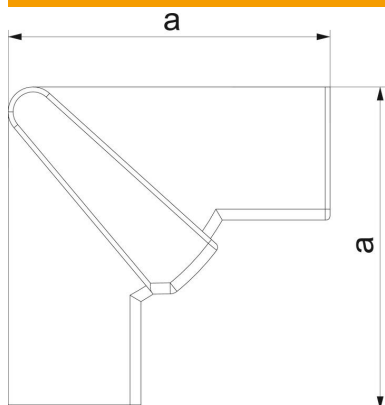
# Technical data sheet

Internal corner cover, for trunking type WDK 12022

Item number: 6154342



## Dimensions



Dimension a	33 mm
Dimension b	33 mm

## Technical data

Version for	Hood fitting
Fastening type	Lockable
Halogen-free	no
Protection rating	IP30
Protective film	no
Protection rating IK code	IK04
Permitted temperature range, max.	60 °C
Permitted temperature range, min.	-5 °C