

# Technical data sheet

## Fastening clip 604, light duty

Item number: 1003119



Single-lobe fastening clip for cables and pipes.  
\* Sizes 3 and 4 are not suitable for nail device  
\* Sizes 3 to 21 are not suitable for bolt-firing tool



- St** Steel
- G** Electrogalvanized

### Master data

Item number	1003119
Type	604 11 G
Description 1	Fastening clip
Description 2	single lobe
Manufacturer	OBO
Dimension	11mm
Material	Steel
Surface	Electrogalvanized
Surface standard	EN ISO 19598 / EN ISO 4042
Smallest sales unit	100
Unit of quantity	Piece
Weight	0.27 kg
Weight unit	kg/100 pc.
CO2 Footprint (GWP) Cradle-to-Gate	0,0056 kg CO2e / 1 Piece

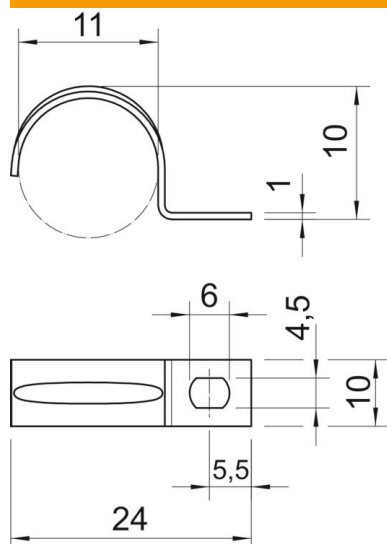
# Technical data sheet

## Fastening clip 604, light duty

Item number: 1003119



### Dimensions



Length	24 mm
Width	10 mm
Height	10 mm
Dimension A	5.5 mm
Dimension b	10 mm
Dimension D	11 mm
Dimension d	4.5 mm
Dimension e	6 mm
Dimension H	10 mm
Dimension L	24 mm
Dimension t	1 mm

### Technical data

Distance to the wall	no
Number of cables/pipes	1
Version for	Single-lobe
Fastening type	Screw hole
For diameter	11
Suitable in fire protection area	no
Halogen-free	yes
Plastic-covered	no
Hole size	4,5 x 6
Material thickness	1 mm
Nominal diameter	11 mm
UV-resistant	yes