

Technical data sheet

AML3518 anchor rail, slot 16.5 mm, A2, perforated

Item number: 1119700



Central C profile rail for cable routing, in conjunction with clamp clips with a hammerhead foot. Can also be used as suspension construction for cable support systems.



A2 Stainless steel

2B Bright, treated

Master data

| | |
|------------------------------------|--------------------------|
| Item number | 1119700 |
| Type | AML3518P1000A2 |
| Description 1 | Profile rail |
| Description 2 | perforated, slot 16.5mm |
| Manufacturer | OBO |
| Dimension | 1000x35x18 |
| Material | Stainless steel 1.4301 |
| Surface | Bright, treated |
| Surface standard | |
| Smallest sales unit | 1 |
| Unit of quantity | Metre |
| Weight | 82 kg |
| Weight unit | kg/100 m |
| CO2 Footprint (GWP) Cradle-to-Gate | 4,2834 kg CO2e / 1 Meter |

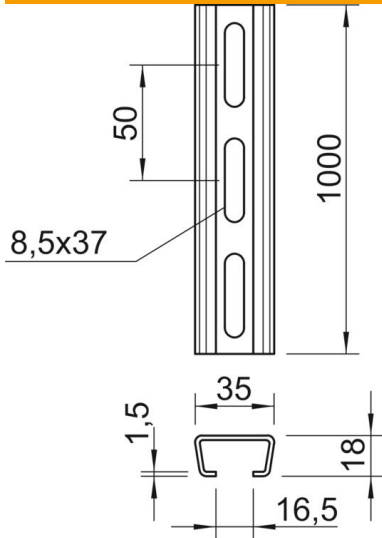
Technical data sheet

AML3518 anchor rail, slot 16.5 mm, A2, perforated



Item number: 1119700

Dimensions



| | |
|-------------|----------|
| Length | 1,000 mm |
| Width | 35 mm |
| Height | 18 mm |
| Dimension L | 1,000 mm |

Technical data

| | |
|-------------------------------|----------------------|
| Breakable | no |
| Type of perforation | Perforated back |
| Version for | Single profile |
| Drill hole spacing, centre | 50 mm |
| Maintain electrical functions | no |
| Material thickness | 1.5 mm |
| With perforation | yes |
| With tothing | no |
| Profile shape | C profile |
| Slot width | 16.5 mm |
| Static value A | 1.01 cm ² |
| Static value I _y | 0.44 cm ⁴ |
| Static value I _z | 1.84 cm ⁴ |
| Static value W _y | 0.42 cm ³ |
| Static value W _z | 1.05 cm ³ |