

# Technical data sheet

## Protective cap MS4141

Item number: 1122906



Protective cap for profile rail, type MS4141.



PE Polyethylene

### Master data

Item number	1122906
Type	MS4141 EK
Description 1	End cap
Description 2	for profile rail MS 41
Manufacturer	OBO
Dimension	41x41mm
Colour	Pastel orange; RAL 2003
Material	Polyethylene
Smallest sales unit	50
Unit of quantity	Piece
Weight	0.67 kg
Weight unit	kg/100 pc.
CO2 Footprint (GWP) Cradle-to-Gate	0,015 kg CO2e / 1 Piece

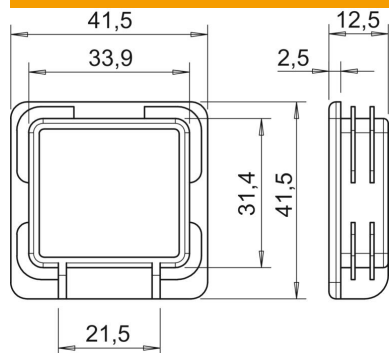
# Technical data sheet

## Protective cap MS4141

Item number: 1122906



### Dimensions



Length	12.5 mm
Width	41.5 mm
Height	41.5 mm

### Technical data

Version for	End cap
Suitable for profile shapes	C profile