

# Technical data sheet

## Wall, floor and ceiling bracket with 3 holes A4

Item number: 1123197



The wall, floor and ceiling bracket can ideally be used as a panel for wall, floor and ceiling mounting.  
Also suitable for stand and frame construction in conjunction with the mounting rails MS4141.



**A4** Stainless steel

**2B** Bright, treated

### Master data

|                                    |                          |
|------------------------------------|--------------------------|
| Item number                        | 1123197                  |
| Type                               | WBDHE 41 A4              |
| Description 1                      | Wall holder              |
| Description 2                      | combination MS 41        |
| Manufacturer                       | OBO                      |
| Dimension                          | 134x110x102              |
| Material                           | Stainless steel 1.4571   |
| Surface                            | Bright, treated          |
| Surface standard                   |                          |
| Smallest sales unit                | 10                       |
| Unit of quantity                   | Piece                    |
| Weight                             | 73 kg                    |
| Weight unit                        | kg/100 pc.               |
| CO2 Footprint (GWP) Cradle-to-Gate | 4,9111 kg CO2e / 1 Piece |

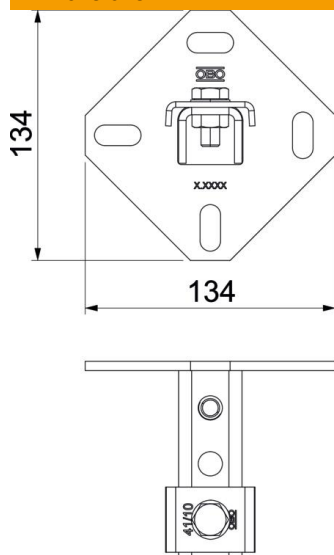
# Technical data sheet

## Wall, floor and ceiling bracket with 3 holes A4

Item number: 1123197



### Dimensions



|        |        |
|--------|--------|
| Length | 102 mm |
| Width  | 134 mm |
| Height | 110 mm |

### Technical data

|                             |                      |
|-----------------------------|----------------------|
| Version for                 | Perforated           |
| Hole size                   | 25 x 11              |
| Material thickness          | 5 mm                 |
| Profile shape               | C profile            |
| Slot width                  | 22 mm                |
| Static value A              | 2.97 cm <sup>2</sup> |
| Static value I <sub>y</sub> | 6.05 cm <sup>4</sup> |
| Static value I <sub>z</sub> | 9.01 cm <sup>4</sup> |
| Static value W <sub>y</sub> | 2.91 cm <sup>3</sup> |
| Static value W <sub>z</sub> | 4.4 cm <sup>3</sup>  |