

Technical data sheet

Hook-head screw ZL

Item number: 1148218



Hook-head screw for use with MS5030 profile rail



St Steel

ZL Zinc slat

Master data

Item number	1148218
Type	MS50HB M10x30 ZL
Description 1	Hook-head screw
Description 2	for profile rail MS5030
Manufacturer	OBO
Dimension	M10x30mm
Material	Steel
Surface	Zinc slat
Surface standard	
Smallest sales unit	50
Unit of quantity	Piece
Weight	7.7 kg
Weight unit	kg/100 pc.
CO2 Footprint (GWP) Cradle-to-Gate	0,1904 kg CO2e / 1 Piece

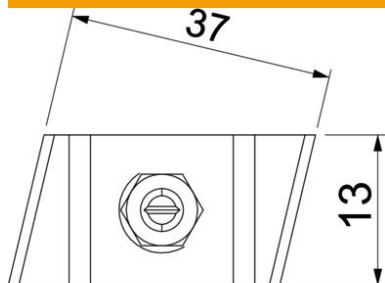
Technical data sheet

Hook-head screw ZL

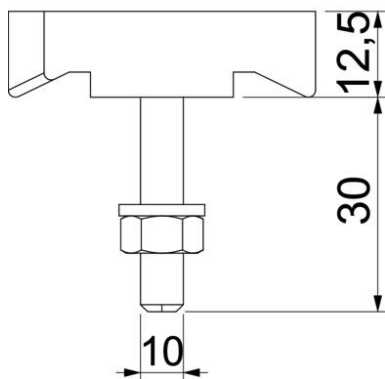
Item number: 1148218



Dimensions



Length	43.3 mm
Width	13 mm
Height	10 mm



Technical data

Suitable for mounting rail	yes
Thread	M10x30mm
Thread metric	10