

# Technical data sheet

## Clamp clip, double, A2 plastic pressure trough

Item number: 1161822



Suitable for all C profile rails with slot width 16–17 mm; stainless steel clip and bolt, polypropylene pressure trough, halogen-free, light grey RAL 7035.



**A2** Stainless steel

**2B** Bright, treated

### Master data

|  |                         |
|--|-------------------------|
| Item number                                    | 1161822                 |
| Type   | 2056 2 22 A2            |
| Description 1                                  | Clamp clip              |
| Description 2                                  | double                  |
| Manufacturer                                   | OBO                     |
| Dimension                                      | 16-22mm                 |
| Material                                       | Stainless steel 1.4301  |
| Surface  | Bright, treated         |
| Surface standard                               |                         |
| Smallest sales unit                            | 50                      |
| Unit of quantity                               | Piece                   |
| Weight   | 5.15 kg                 |
| Weight unit                                    | kg/100 pc.              |
| CO <sub>2</sub> Footprint (GWP) Cradle-to-Gate | 0,3449 kg COe / 1 Piece |

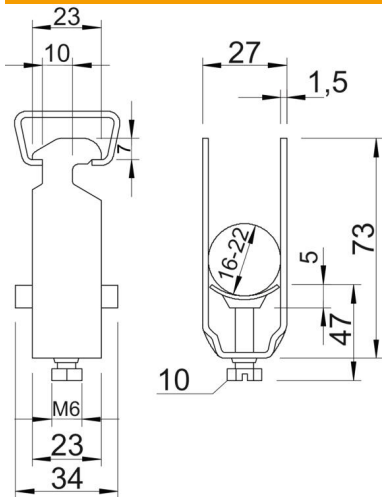
# Technical data sheet

## Clamp clip, double, A2 plastic pressure trough



Item number: 1161822

### Dimensions



|                  |        |
|------------------|--------|
| Dimension A      | 23 mm  |
| Dimension B      | 27 mm  |
| Dimension C      | 34 mm  |
| Dimension G (mm) | M6     |
| Dimension H      | 73 mm  |
| Dimension L      | 47 mm  |
| Dimension t      | 1.5 mm |
| Dimension x      | 5 mm   |

### Technical data

|  |                 |
|--|-----------------|
| Number of cables/pipes                         | 2               |
| for rail with slot width (with interval), max. | 17 mm           |
| for rail with slot width (with interval), min. | 16 mm           |
| Halogen-free                                   | yes             |
| Max. Tightening torque                         | 3 Nm            |
| With plastic trough                            | yes             |
| With metal trough                              | no              |
| Mounting type                                  | Profile rail    |
| Impact-resistant                               | no              |
| Clamping range D, max.                         | 22 mm           |
| Clamping range D, min.                         | 16 mm           |
| Surface addition                               | Untreated       |
| Material addition                              | Rustproof steel |
| With counter-trough                            | no              |
| Material of trough                             | Plastic         |
| Material quality of trough                     | Polypropylene   |