

# Technical data sheet

## Clamp clip, double, A2 plastic pressure trough

Item number: 1161857



Suitable for all C profile rails with slot width 16–17 mm; stainless steel clip and bolt, polypropylene pressure trough, halogen-free, light grey RAL 7035.



**A2** Stainless steel

**2B** Bright, treated

### Master data

Item number	1161857
Type	2056 2 40 A2
Description 1	Clamp clip
Description 2	double
Manufacturer	OBO
Dimension	34-40mm
Material	Stainless steel 1.4301
Surface	Bright, treated
Surface standard	
Smallest sales unit	25
Unit of quantity	Piece
Weight	14.35 kg
Weight unit	kg/100 pc.
CO <sub>2</sub> Footprint (GWP) Cradle-to-Gate	0,7155 kg CO <sub>e</sub> / 1 Piece

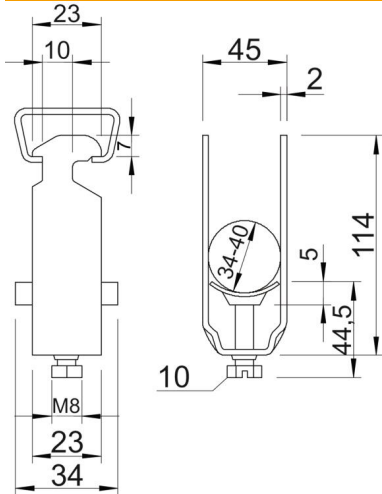
# Technical data sheet

## Clamp clip, double, A2 plastic pressure trough

Item number: 1161857



### Dimensions



Dimension A	23 mm
Dimension B	45 mm
Dimension C	34 mm
Dimension G (mm)	M8
Dimension H	114 mm
Dimension L	44.5 mm
Dimension t	2 mm
Dimension x	6 mm

### Technical data

Number of cables/pipes	2
for rail with slot width (with interval), max.	17 mm
for rail with slot width (with interval), min.	16 mm
Halogen-free	yes
Max. Tightening torque	5 Nm
With plastic trough	yes
With metal trough	no
Mounting type	Profile rail
Impact-resistant	no
Clamping range D, max.	40 mm
Clamping range D, min.	34 mm
Surface addition	Untreated
Material addition	Rustproof steel
With counter-trough	no
Material of trough	Plastic
Material quality of trough	Polypropylene