

Technical data sheet

Clamp clip, double, A2 plastic pressure trough

Item number: 1161865



Suitable for all C profile rails with slot width 16–17 mm; stainless steel clip and bolt, polypropylene pressure trough, halogen-free, light grey RAL 7035.



A2 Stainless steel

2B Bright, treated

Master data

Item number	1161865
Type	2056 2 46 A2
Description 1	Clamp clip
Description 2	double
Manufacturer	OBO
Dimension	40-46mm
Material	Stainless steel 1.4301
Surface	Bright, treated
Surface standard	
Smallest sales unit	25
Unit of quantity	Piece
Weight	14.95 kg
Weight unit	kg/100 pc.
CO ₂ Footprint (GWP) Cradle-to-Gate	0,817 kg CO _e / 1 Piece

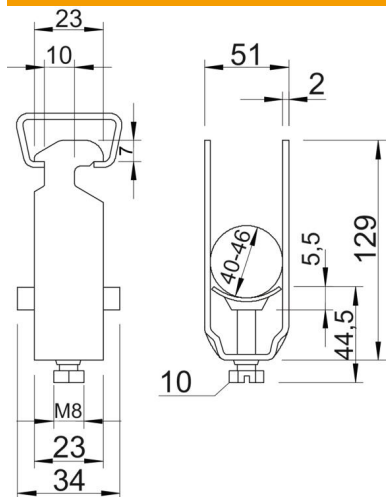
Technical data sheet

Clamp clip, double, A2 plastic pressure trough



Item number: 1161865

Dimensions



Dimension A	23 mm
Dimension B	51 mm
Dimension C	40 mm
Dimension G (mm)	M8
Dimension H	129 mm
Dimension L	44.5 mm
Dimension t	2 mm
Dimension x	6 mm

Technical data

Number of cables/pipes	2
for rail with slot width (with interval), max.	17 mm
for rail with slot width (with interval), min.	16 mm
Halogen-free	yes
Max. Tightening torque	5 Nm
With plastic trough	yes
With metal trough	no
Mounting type	Profile rail
Impact-resistant	no
Clamping range D, max.	46 mm
Clamping range D, min.	40 mm
Surface addition	Untreated
Material addition	Rustproof steel
With counter-trough	no
Material of trough	Plastic
Material quality of trough	Polypropylene