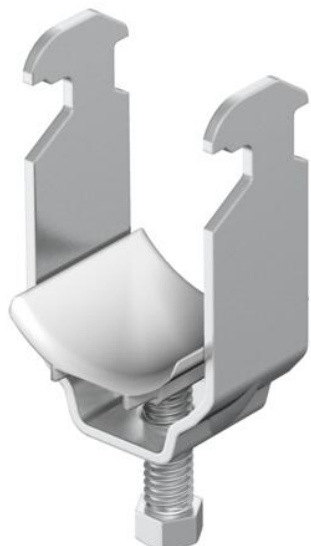


# Technical data sheet

## Clamp clip, single, plastic pressure trough, ALU

Item number: 1183230



Suitable for all C profile rails with 16–17 mm slot width; aluminium ALMg 3 clamp and bolt, polypropylene pressure sleeve, halogen-free, colour light grey RAL 7035.

The clamp clips 2056/ALU, in the version for one cable according to VDE 0298-1, are suitable for individual routing of single-wire cables in rotary current networks, as there is no closed circuit. However, the lower mechanical resistance of the aluminium clips must be taken into account for short circuits, i.e. keep the distance between the clips as short as possible in a longitudinal direction and ensure sufficient side spacing between the cables.  
(Metal pressure troughs on request.)



**Alu** Aluminium

### Master data

Item number	1183230
Type	2056 28 ALU
Description 1	Clamp clip
Manufacturer	OBO
Dimension	22-28mm
Material	Aluminium
Smallest sales unit	100
Unit of quantity	Piece
Weight	1.5 kg
Weight unit	kg/100 pc.
CO2 Footprint (GWP) Cradle-to-Gate	0,2719 kg COe / 1 Piece

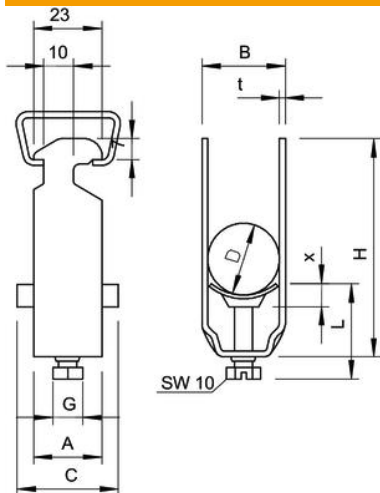
# Technical data sheet

## Clamp clip, single, plastic pressure trough, ALU



Item number: 1183230

### Dimensions



Dimension A	23 mm
Dimension B	33 mm
Dimension C	34 mm
Dimension G (mm)	M6
Dimension H	58 mm
Dimension L	34 mm
Dimension t	2 mm
Dimension x	5 mm

### Technical data

Number of cables/pipes	1
for rail with slot width (with interval), max.	17 mm
for rail with slot width (with interval), min.	16 mm
Halogen-free	yes
Max. Tightening torque	2 Nm
With plastic trough	yes
With metal trough	no
Mounting type	Profile rail
Impact-resistant	no
Clamping range D, max.	28 mm
Clamping range D, min.	22 mm
Surface addition	Untreated
Material addition	Aluminium
With counter-trough	no
Material of trough	Plastic
Material quality of trough	Polypropylene