

Technical data sheet

Clamp clip 2056 U-foot, 1-fold, plastic pressure sleeve, A2

Item number: 1186802



Clamp clip with U-foot, plastic pressure sleeve made of polypropylene. For vertical and horizontal mounting of 1 single cable on a C-profile rail. For slot width 18–22 mm. With 1-start screw thread on pressure sleeve, universal hexagonal screw head WAF10, with slot and cross recess. Suitable for assembly indoors and outdoors. We recommend the use of a counter-sleeve.



A2 Stainless steel

2B Bright, treated

Master data

| | |
|------------------------------------|--------------------------|
| Item number | 1186802 |
| Type | BS-U1-K-12 A2 |
| Description 1 | Clamp clip 2056 |
| Manufacturer | OBO |
| Dimension | 08-12mm |
| Material | Stainless steel 1.4301 |
| Surface | Bright, treated |
| Surface standard | |
| Smallest sales unit | 50 |
| Unit of quantity | Piece |
| Weight | 3 kg |
| Weight unit | kg/100 pc. |
| CO2 Footprint (GWP) Cradle-to-Gate | 0,2103 kg CO2e / 1 Piece |

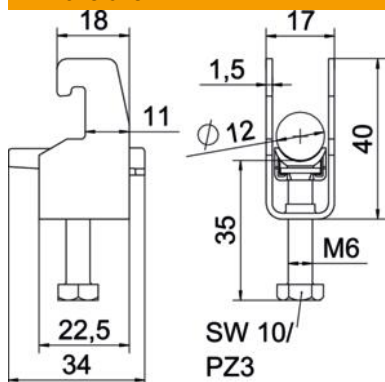
Technical data sheet

Clamp clip 2056 U-foot, 1-fold, plastic pressure sleeve, A2



Item number: 1186802

Dimensions



| | |
|------------------|---------|
| Length | 22.5 mm |
| Width | 17 mm |
| Height | 40 mm |
| Plate thickness | 1.5 mm |
| Dimension A | 22.5 mm |
| Dimension B | 17 mm |
| Dimension C | 34 mm |
| Dimension G (mm) | M6 |
| Dimension H | 40 mm |
| Dimension L | 35 mm |
| Dimension t | 1.5 mm |

Technical data

| | |
|--|-----------------|
| Number of cables/pipes | 1 |
| For pipe diameter, max. | 12 mm |
| For pipe diameter, min. | 8 mm |
| for rail with slot width (with interval), max. | 22 mm |
| for rail with slot width (with interval), min. | 18 mm |
| Thread | M6 |
| Halogen-free | yes |
| Length of external dimensions | 34 mm |
| Max. Tightening torque | 3 Nm |
| With plastic trough | yes |
| With metal trough | no |
| Mounting type | Profile rail |
| Slot width | 10 mm |
| Clamping range D, max. | 12 mm |
| Clamping range D, min. | 8 mm |
| Surface addition | Untreated |
| Material addition | Rustproof steel |
| With counter-trough | no |
| Material of trough | Plastic |
| Material quality of trough | Polypropylene |