

Technical data sheet

Bundle clip A2

Item number: 1194372



Clip and bolt made of hot-dip galvanised steel, countersunk head bolt made of rustproof stainless steel, slide nut made of electrogalvanised stainless steel. Stainless steel version: clip and screw made of hot-dip galvanised steel, slide nut, type 5019, made of rust-proof stainless steel.



A2 Stainless steel

2B Bright, treated

Master data

Item number	1194372
Type	2056 B 80 A2
Description 1	Bundle clamp
Manufacturer	OBO
Dimension	80x100mm
Material	Stainless steel 1.4301
Surface	Bright, treated
Surface standard	
Smallest sales unit	25
Unit of quantity	Piece
Weight	38.3 kg
Weight unit	kg/100 pc.
CO2 Footprint (GWP) Cradle-to-Gate	1,8282 kg CO2e / 1 Piece

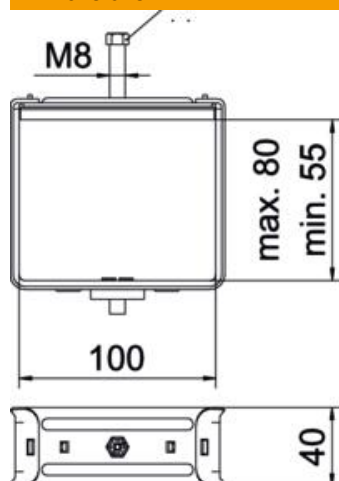
Technical data sheet

Bundle clip A2

Item number: 1194372



Dimensions



Dimension B	100 mm
Dimension h	55 mm
Dimension H	80 mm

Technical data

for rail with slot width (with interval), max.	16 mm
for rail with slot width (with interval), min.	17 mm
Halogen-free	no
With plastic trough	no
With metal trough	yes
Mounting type	Profile rail
Surface addition	hot galvanised
Material addition	Steel