

# Technical data sheet

## Spacer clip 732 A2

Item number: 1362622



Spacer clip for the installation of pipes and cables on walls, ceiling and floors.  
With self-locking upper part.  
Approved for the maintenance of electrical function according to DIN 4102 Part 12, maintenance of electrical function classes E30 to E90.



A2 Stainless steel

### Master data

|                                    |                             |
|------------------------------------|-----------------------------|
| Item number                        | 1362622                     |
| Type                               | ASG 732 6 A2                |
| Description 1                      | Distance saddle             |
| Description 2                      | with threaded connection M6 |
| Manufacturer                       | OBO                         |
| Dimension                          | 5-6mm                       |
| Material                           | Stainless steel 1.4301      |
| Smallest sales unit                | 25                          |
| Unit of quantity                   | Piece                       |
| Weight                             | 1.537 kg                    |
| Weight unit                        | kg/100 pc.                  |
| CO2 Footprint (GWP) Cradle-to-Gate | 0,1342 kg CO2e / 1 Piece    |

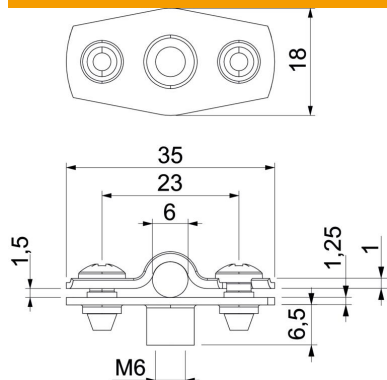
# Technical data sheet

## Spacer clip 732 A2

Item number: 1362622



### Dimensions



|                   |        |
|-------------------|--------|
| Dimension A       | 35 mm  |
| Dimension B       | 23 mm  |
| Dimension b       | 18 mm  |
| Dimension D       | 6 mm   |
| Dimension d max.  | 6 mm   |
| Dimension d min.  | 5 mm   |
| Dimension H1      | 12 mm  |
| Dimension t1 (mm) | 1      |
| Dimension t2 (mm) | 1.25   |
| Dimension x       | 1.5 mm |

### Technical data

|                               |         |
|-------------------------------|---------|
| Distance to the wall          | yes     |
| Number of cables/pipes        | 1       |
| Version for                   | Closed  |
| Maintain electrical functions | yes     |
| For diameter                  | 5 - 6   |
| Halogen-free                  | yes     |
| Plastic-covered               | no      |
| Material thickness            | 1.25 mm |
| Clamping range D, max.        | 6 mm    |
| Clamping range D, min.        | 5 mm    |
| UV-resistant                  | yes     |