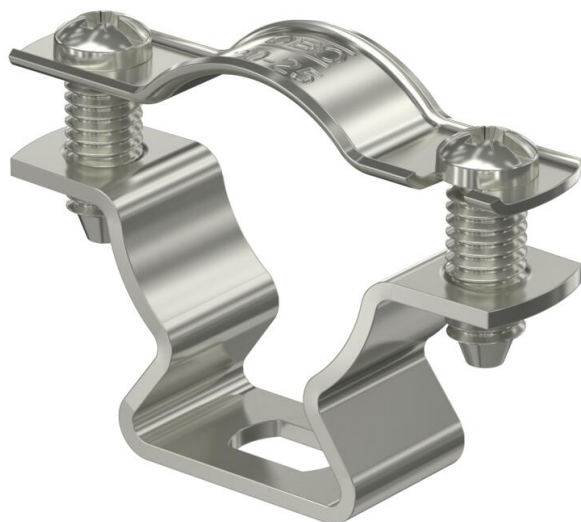


Technical data sheet

Spacer clip 733 A4

Item number: 1362918



Spacer clip for the installation of pipes and cables on walls, ceilings and floors. With self-locking cover. Fastening via slot.

Approved for the maintenance of electrical function according to DIN 4102 Part 12, maintenance of electrical function classes E 30 to E 90.



A4 Stainless steel

Master data

Item number	1362918
Type	ASL 733 25 A4
Description 1	Distance saddle
Description 2	with slot
Manufacturer	OBO
Dimension	20-25mm
Material	Stainless steel 1.4571
Smallest sales unit	25
Unit of quantity	Piece
Weight	2.466 kg
Weight unit	kg/100 pc.
CO2 Footprint (GWP) Cradle-to-Gate	0,1801 kg CO2e / 1 Piece

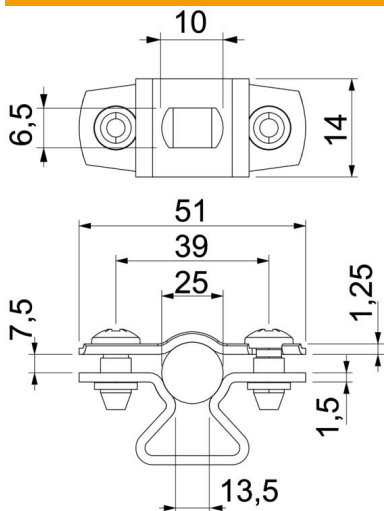
Technical data sheet

Spacer clip 733 A4

Item number: 1362918



Dimensions



Dimension A	51 mm
Dimension B	39 mm
Dimension b	14 mm
Dimension D	25 mm
Dimension d max.	25 mm
Dimension d min.	20 mm
Dimension L	10 mm
Dimension s	13.5 mm
Dimension t1 (mm)	1.25
Dimension t2 (mm)	1.5
Dimension x	7.5 mm

Technical data

Distance to the wall	yes
Number of cables/pipes	1
Version for	Closed
Fastening type	Screw hole
Maintain electrical functions	yes
For diameter	20 - 25
Halogen-free	yes
Plastic-covered	no
Material thickness	1.5 mm
Clamping range D, max.	25 mm
Clamping range D, min.	20 mm
UV-resistant	yes