

Technical data sheet

Strain relief clip 7903

Item number: 1437003



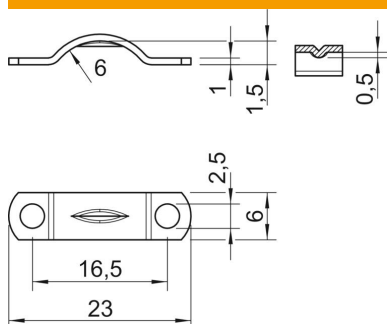
Fastening clip for strain relief of cables

- St** Steel
- G** Electrogalvanized

Master data

Item number	1437003
Type	7903 6 G
Description 1	Strain relief clip
Manufacturer	OBO
Dimension	6mm
Material	Steel
Surface	Electrogalvanized
Surface standard	EN ISO 19598 / EN ISO 4042
Smallest sales unit	100
Unit of quantity	Piece
Weight	0.105 kg
Weight unit	kg/100 pc.
CO2 Footprint (GWP) Cradle-to-Gate	0,0027 kg CO2e / 1 Piece

Dimensions



Length	23 mm
Width	6 mm
Height	1.5 mm
Dimension b	6 mm
Dimension d	2.5 mm
Dimension h	1.5 mm
Dimension H1 (mm)	0.5
Dimension L	23 mm
Dimension l	16.5 mm
Dimension R	6 mm
Dimension t	1 mm

Technical data sheet

Strain relief clip 7903

Item number: 1437003



Technical data

Distance to the wall	no
Number of cables/pipes	1
Version for	Two-lobe
Fastening type	Screw hole
For diameter	6
Suitable in fire protection area	no
Size	I
Halogen-free	yes
Plastic-covered	no
Hole size	2,5
Material thickness	0.5 mm
Nominal diameter	6 mm
Clamping range D, max.	6 mm
Clamping range D, min.	6 mm
UV-resistant	yes