

Technical data sheet

Junction box, B 9/B M, with thread

Item number: 2001632



Protection rating IP54, nominal voltage 660 V, nominal cross-section $2.5 \div \text{mm}^2$, two fastening holes for screws up to 5 mm \varnothing on the outside of the box, four cover screws, 7 break-out entries with thread M20 x 1.5, primarily for cable glands with short connecting thread.

Clear internal dimensions: 73x73x35 mm.

B 9 B M VDE empty: without terminal block



Duroplast, Aminoplast

Master data

Item number	2001632
Type	B 9 B M
Description 1	Junction box
Manufacturer	OBO
Dimension	82x82x46
Colour	Light grey; RAL 7035
Material	Duroplast, Aminoplast Typ 131.5
Smallest sales unit	5
Unit of quantity	Piece
Weight	9.96 kg
Weight unit	kg/100 pc.
CO2 Footprint (GWP) Cradle-to-Gate	0,303 kg CO2e / 1 Piece

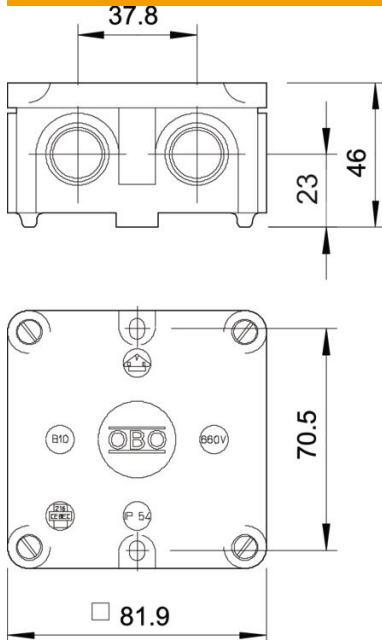
Technical data sheet

Junction box, B 9/B M, with thread

Item number: 2001632



Dimensions



Length	81.9 mm
Width	81.9 mm
Height	46 mm

Technical data

Expandable	no
No. of entries	7
Type of entry	Gland
Type of entry	Cable
Type of housing penetration	Thread and pre-marking
Measured insulation voltage V_i	400 V
Cover	Not transparent
Cover fastening	Screwed
Entry from rear	no
Entries	7 break-out entries with thread M20 x 1.5
Explosion-tested version	no
Flame-resistant	Acc. to VDE 0471/DIN 695 Part 2-1, test temperature 750°C
Shape	Square
Maintain electrical functions	Without
For Ex zone	Without
For Ex zone gas	Without
For Ex zone dust	Without
for pipe diameter	20 mm
Halogen-free	yes
Clear internal dimensions	73x73x35 mm
With screening	no
with lid	yes
Nominal cross-section, min.	2.5 mm ²
Nominal voltage	660 V
Sealable	yes

Technical data sheet

Junction box, B 9/B M, with thread

Item number: 2001632



Technical data

Impact-resistant	no
Protection rating	IP54
Transparent lid	no
Weatherproof	no