

# Technical data sheet

## Concealed accessory box

Item number: 2003015



Device socket with torsion-resistant guaranteed standard combination spacing of 71 mm (to DIN 49 073-1) through Snap-lock coupling. 7 break-out openings for cables and pipes  $\varnothing$  20 mm and  $\varnothing$  25 mm. Combinable for spreading and screw fastening, low-lying plaster brackets, device bolt spacing 60 mm, for screw fastening with 3.2 mm self-tapping screws, with 2 screw bosses without screws, protection rating IP20.



PS Polystyrene

### Master data

Item number	2003015
Type	UG 60 D
Description 1	Box, empty
Description 2	concealed
Manufacturer	OBO
Dimension	$\varnothing$ 60mm, H40mm
Colour	Black
Material	Polystyrene
Smallest sales unit	25
Unit of quantity	Piece
Weight	1.319 kg
Weight unit	kg/100 pc.
CO2 Footprint (GWP) Cradle-to-Gate	0,0433 kg COe / 1 Piece

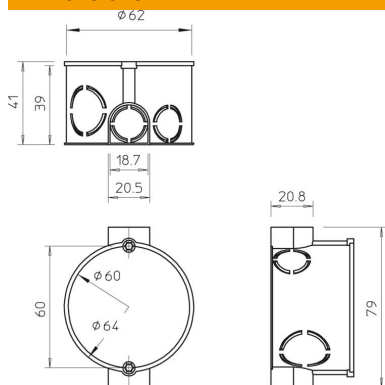
# Technical data sheet

## Concealed accessory box

Item number: 2003015



### Dimensions



Height 40 mm

### Technical data

No. of entries	7
Number of switch boxes	1
Type of entry	break-out openings for cables and pipes $\phi 20$ mm and $\phi 25$ mm
Type of housing penetration	Pre-marking
Version for	Single
Type	Accessory socket
Device fixing	Screw or spread
Equipment	Without
Cover	Without
Cover fastening	Not applicable
Entry from rear	no
Entries	7
Flame-resistant	acc. to VDE 0471/DIN 695 Part 2-1, test temperature $650^{\circ}\text{C}$
Shape	Round
Maintain electrical functions	Without
Floor height, min.	42 mm
for pipe diameter	20/25 mm
Accessory screw clearance	60 mm
Halogen-free	yes
With screening	no
With nail strap	no
With bolts	no
Mounting type	Concealed
Nominal cross-section, max.	$2.5\text{ mm}^2$
Nominal cross-section, min.	$1.5\text{ mm}^2$
Sealable	no
Impact-resistant	yes
Protection rating	IP20
Support	Tunnel support
Airtight	no
Rated voltage	400 V