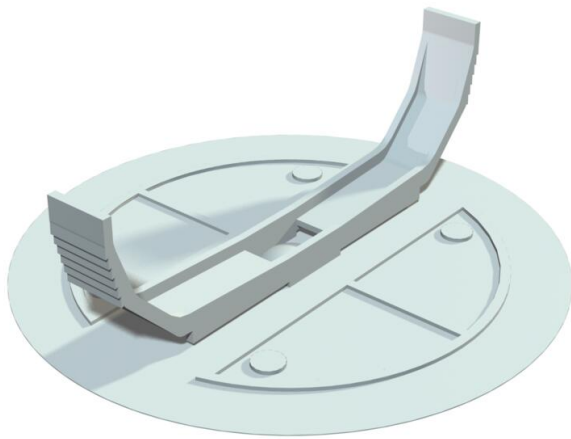


# Technical data sheet

Sprung cover, 70 mm

Item number: 2003227



Sprung cover with centrally moulded, elastic spreading spring, for sockets with  $\varnothing$  70 mm, cover edge is flush, surface is roughened.



**PS** Polystyrene

## Master data

Item number	2003227
Type	UV 70 FD
Description 1	Sprung lid
Description 2	Concealed
Manufacturer	OBO
Dimension	$\varnothing$ 84mm
Colour	White
Material	Polystyrene
Smallest sales unit	25
Unit of quantity	Piece
Weight	1.2 kg
Weight unit	kg/100 pc.
CO2 Footprint (GWP) Cradle-to-Gate	0,0297 kg CO2e / 1 Piece

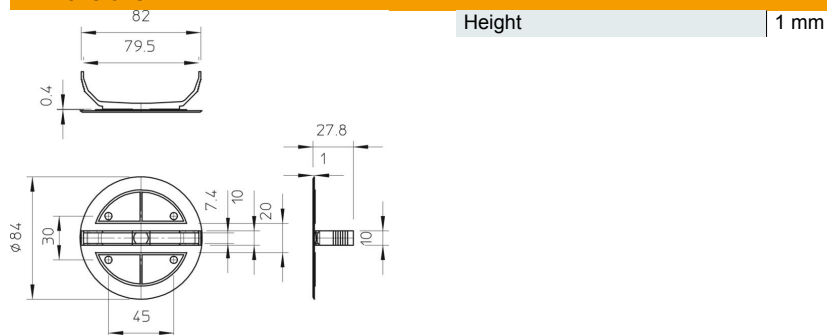
# Technical data sheet

Sprung cover, 70 mm

Item number: 2003227



## Dimensions



Height | 1 mm

## Technical data

Fastening type	Spring cover
Flame-resistant	Acc. to VDE 0471/DIN 695 Part 2-1, test temperature 750°C
Shape	Round
Halogen-free	yes
With bolts	no
Sealable	no