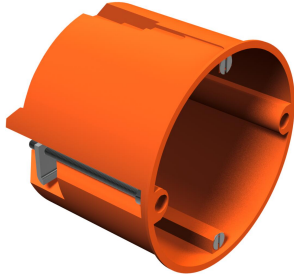


# Technical data sheet

## Cavity wall accessory/connection socket

Item number: 2003442



Cavity wall device/connection socket. Dimensions to DIN 49073-1, for plate thickness 7–35 mm. Standard combination spacing 71 mm, option for continuous wiring using connection support for combinations between device sockets and device connection sockets,

8 break-out openings for NYM cables, data cables and pipes  $\varnothing$  20 mm, device sockets can also be used as connection sockets to VDE 0606-1 with double screw fastening and screw-on cover, protection rating IP30. According to IEC 60670-1, IEC 60670-22 and DIN 49073-1.



**PP** Polypropylene

### Master data

Item number	2003442
Type	HV 60
Description 1	Device/connection plug
Description 2	cavity wall
Manufacturer	OBO
Dimension	$\varnothing$ 68mm, H61mm
Colour	Orange
Material	Polypropylene
Smallest sales unit	25
Unit of quantity	Piece
Weight	2.74 kg
Weight unit	kg/100 pc.
CO2 Footprint (GWP) Cradle-to-Gate	0,2038 kg COe / 1 Piece

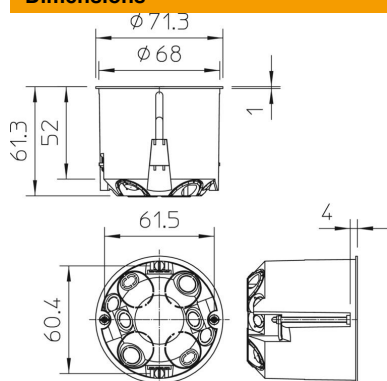
# Technical data sheet

## Cavity wall accessory/connection socket



Item number: 2003442

### Dimensions



Height	61 mm
--------	-------

### Technical data

No. of entries	8
Number of switch boxes	1
Type of entry	break-out openings for NYM cables, data cables and pipes Ø 20 mm
Type of housing penetration	Pre-marking
Version for	Single
Type	Device connection socket/box
Device fixing	Screws ,
Equipment	Without
Cover	Without
Cover fastening	Not applicable
Entry from rear	yes
Entries	8
Flame-resistant	Acc. to VDE 0471/DIN 695 Part 2-1, test temperature 850°C
Shape	Round
Milling hole diameter	68 mm
Maintain electrical functions	Without
Floor height, min.	61 mm
for pipe diameter	20 mm
Suitable for plate thickness, max.	35 mm
Suitable for plate thickness, min.	7 mm
Accessory screw clearance	60 mm
Halogen-free	yes
Max. Conductor cross-section	2.5 mm <sup>2</sup>
With screening	no
With nail strap	no
With bolts	yes
Mounting type	Cavity wall
Nominal cross-section, max.	2.5 mm <sup>2</sup>
Nominal cross-section, min.	1.5 mm <sup>2</sup>
Sealable	no
Impact-resistant	no
Protection rating	IP30
Support	Without
Airtight	no
Rated voltage	400 V