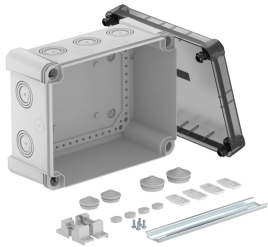


Technical data sheet

Junction box X 16 with hat profile rail

Item number: 2005100



Junction box with hat profile rail for the connection of cables and lines indoors and in outdoor areas. Rectangular design with knock-out entries. Suitable for wall and ceiling mounting with the option to fasten outside, inside or to mount via the corner domes. Particularly impact resistant with IK09. Transparent cover with quick lock, sealable. Made from halogen-free and UV-resistant materials.

With hat profile rail type 2069.

Junction box according to DIN EN 60670. Flame-resistant to DIN EN 60695/2/11, test temperature 650 °C. Impact resistance IK09 according to DIN EN 50102.

Protection rating IP67 according to DIN EN 60529.

With transparent cover and hat profile rail, type 2069, with fastening set.



PC Polycarbonate

Master data

Item number	2005100
Type	X16 R LGR-TR
Description 1	Junction box
Description 2	with tans. lid, rail 2069
Manufacturer	OBO
Dimension	240x191x125
Colour	Grey / transparent
Material	Polycarbonate
Smallest sales unit	1
Unit of quantity	Piece
Weight	87.3 kg
Weight unit	kg/100 pc.
CO2 Footprint (GWP) Cradle-to-Gate	3,2889 kg CO2e / 1 Piece

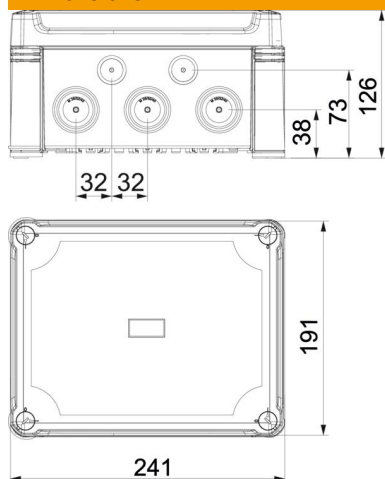
Technical data sheet

Junction box X 16 with hat profile rail

Item number: 2005100



Dimensions



Length	241 mm
Width	191 mm
Height	126 mm

Technical data

Expandable	yes
No. of entries	10
Type of entry	Cuttable stepped membrane
Type of housing penetration	Pre-marking
Measured insulation voltage V_i	750 V
Equipment	Support rail
Cover	Transparent
Cover fastening	Screwed
Entry from rear	no
Entries	10 x $\varnothing 25/32/40$
Explosion-tested version	no
Flame-resistant	acc. to VDE 0471/DIN 695 Part 2-1, test temperature 650°C
Shape	Rectangular
Fibre-glass reinforced	yes
Halogen-free	yes
Clear internal dimensions	227x177x110 mm
Max. Conductor cross-section	16 mm ²
With screening	no
with lid	yes
Mounting type	Wall/ceiling mounting
Nominal cross-section, max.	16 mm ²
Nominal cross-section, min.	6 mm ²
Nominal voltage	750 V
Sealable	yes
Impact-resistant	yes
Protection rating	IP67
Protection rating IK code	IK09
Permitted temperature range, max.	60 °C
Permitted temperature range, min.	-5 °C
Transparent lid	yes

Technical data sheet

Junction box X 16 with hat profile rail

Item number: 2005100



Technical data

Weatherproof		yes
--------------	--	-----