

# Technical data sheet

## Junction box X 02 with cable gland and plug-in terminals

Item number: 2005244



Junction box with terminal for the connection of cables and lines indoors and in outdoor areas. Square design with knock-out entries. Suitable for wall and ceiling mounting with the option to fasten outside, inside or to mount via the corner domes. Particularly impact resistant with IK09. Cover with quick lock, sealable. Made from halogen-free and UV-resistant materials.

With 3 universal screwless terminals (5-pole), 3 cable glands V-TEC M20 and 3 locknuts.

Junction box according to DIN EN 60670. Flame-resistant to DIN EN 60695/2/11, test temperature 650 °C. Impact resistance IK09 according to DIN EN 50102. Protection rating IP67 according to DIN EN 60529.



PC Polycarbonate

### Master data

Item number	2005244
Type	X02 UT G LGR
Description 1	Junction box
Description 2	5x61x525 FL, 3xV-TEC VM, 3x116
Manufacturer	OBO
Dimension	95x95x72
Colour	Light grey; RAL 7035
Material	Polycarbonate
Smallest sales unit	1
Unit of quantity	Piece
Weight	23 kg
Weight unit	kg/100 pc.
CO2 Footprint (GWP) Cradle-to-Gate	0,9365 kg CO2e / 1 Piece

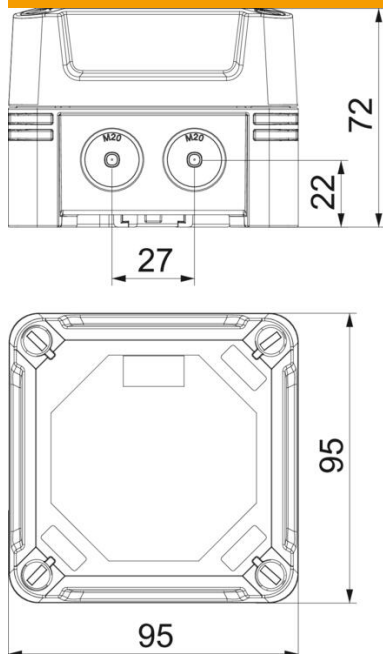
# Technical data sheet

## Junction box X 02 with cable gland and plug-in terminals

Item number: 2005244



### Dimensions



Length	95 mm
Width	95 mm
Height	72 mm

### Technical data

Expandable	yes
No. of entries	7
Type of entry	Cuttable stepped membrane
Type of housing penetration	Pre-marking
Measured insulation voltage $V_i$	750 V
Equipment	Screwless terminal
Cover	Not transparent
Cover fastening	Screwed
Entry from rear	no
Entries	7 x $\varnothing 20$
Explosion-tested version	no
Flame-resistant	acc. to VDE 0471/DIN 695 Part 2-1, test temperature 650°C
Shape	Square
Fibre-glass reinforced	yes
Halogen-free	yes
Clear internal dimensions	85x85x57 mm
Max. Conductor cross-section	2.5 mm <sup>2</sup>
With screening	no
with lid	yes
Mounting type	Wall/ceiling mounting
Nominal cross-section, max.	2.5 mm <sup>2</sup>
Nominal cross-section, min.	1 mm <sup>2</sup>
Nominal voltage	750 V
Sealable	yes
Impact-resistant	yes

# Technical data sheet

Junction box X 02 with cable gland and plug-in terminals

Item number: 2005244



## Technical data

Protection rating	IP67
Protection rating IK code	IK09
Permitted temperature range, max.	60 °C
Permitted temperature range, min.	-5 °C
Transparent lid	no
Weatherproof	yes