

Technical data sheet

Junction box X 16 with main terminal block

Item number: 2005312



Junction box for the connection of cables and lines indoors and in outdoor areas. Rectangular design with knock-out entries. Suitable for wall and ceiling mounting with the option to fasten outside, inside or to mount via the corner domes. Particularly impact resistant with IK09. Cover with quick lock, sealable. Made from halogen-free and UV-resistant materials.

Including 5-pole main terminal block with 2 x 25 mm² + 2 x 16 mm² cable connection cross-sections per pole. Junction box according to DIN EN 60670. Flame-resistant to DIN EN 60695/2/11, test temperature 650 °C. Impact resistance IK09 according to DIN EN 50102. Protection rating IP67 according to DIN EN 60529.

In addition, a 5-pin main conductor branch terminal with 2 x 25 mm² + 2 x 16 mm² conductor connection cross-sections per pin is included.



PC Polycarbonate

Master data

Item number	2005312
Type	X16 H25 GNP5 LGR
Description 1	Junction box
Description 2	Main line branch terminal
Manufacturer	OBO
Dimension	240x191x125
Colour	Light grey; RAL 7035
Material	Polycarbonate
Smallest sales unit	1
Unit of quantity	Piece
Weight	111 kg
Weight unit	kg/100 pc.
CO2 Footprint (GWP) Cradle-to-Gate	3,2945 kg CO2e / 1 Piece

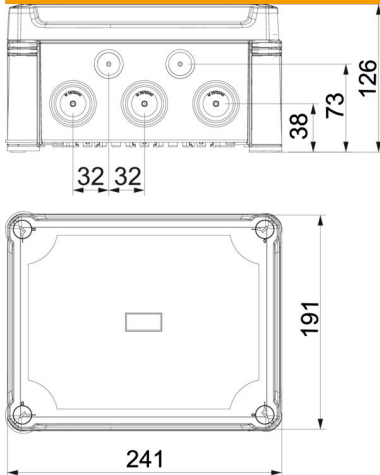
Technical data sheet

Junction box X 16 with main terminal block



Item number: 2005312

Dimensions



Length	241 mm
Width	191 mm
Height	126 mm

Technical data

Expandable	yes
No. of entries	10
Type of entry	Cuttable stepped membrane
Type of housing penetration	Pre-marking
Measured insulation voltage V_i	750 V
Equipment	Without
Cover	Not transparent
Cover fastening	Screwed
Entry from rear	no
Entries	10 x $\varnothing 25/32/40$
Explosion-tested version	no
Flame-resistant	acc. to VDE 0471/DIN 695 Part 2-1, test temperature 650 °C
Shape	Rectangular
Fibre-glass reinforced	yes
Halogen-free	yes
Clear internal dimensions	227x177x110 mm
Max. Conductor cross-section	25 mm ²
With screening	no
with lid	yes
Mounting type	Wall/ceiling mounting
Nominal cross-section, max.	16 mm ²
Nominal cross-section, min.	6 mm ²
Nominal voltage	750 V
Sealable	yes
Impact-resistant	yes
Protection rating	IP67
Protection rating IK code	IK09
Permitted temperature range, max.	60 °C
Permitted temperature range, min.	-5 °C
Transparent lid	no

Technical data sheet

Junction box X 16 with main terminal block

Item number: 2005312



Technical data

Weatherproof		yes
--------------	--	-----