

Technical data sheet

Junction box T 350, plug-in seal, flame-resistant



Item number: 2007371



Junction box for the connection of cables and lines indoors and in protected outdoor areas. Rectangular design with plug-in seals to the sides and knock-out entries in the bottom. Suitable for wall and ceiling mounting and on mounting panels. With the option to fasten inside and to mount via the corner domes. Cover with quick lock, sealable. Made from halogen-free materials. Flame-resistant type made from special polypropylene.

Junction box according to DIN EN 60670. Flame-resistant to DIN EN 60695-2-11, test temperature 960 °C. Impact resistance IK05 according to DIN EN 50102.



PP/GF Polypropylene, fibreglass reinforced

Master data

Item number	2007371
Type	T 350 F
Description 1	Junction box
Description 2	with entries
Manufacturer	OBO
Dimension	285x201x120
Colour	Light grey; RAL 7035
Material	Polypropylene, fibreglass reinforced
Smallest sales unit	1
Unit of quantity	Piece
Weight	63 kg
Weight unit	kg/100 pc.
CO2 Footprint (GWP) Cradle-to-Gate	3,0399 kg CO2e / 1 Piece

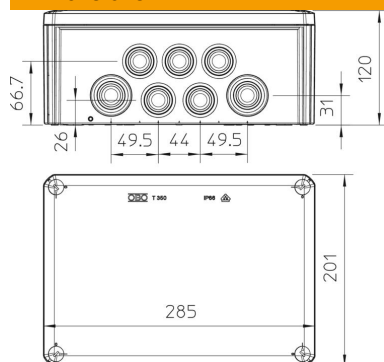
Technical data sheet

Junction box T 350, plug-in seal, flame-resistant



Item number: 2007371

Dimensions



Length	285 mm
Width	201 mm
Height	120 mm

Technical data

Expandable	yes
No. of entries	24
Type of entry	Plug-in seal
Type of entry	Cable
Type of housing penetration	Cuttable stepped membrane
Measured insulation voltage V_i	500 V
Equipment	Without
Cover	Not transparent
Cover fastening	Screwed
Entry from rear	yes
Entries	16 x M32 8 x M40
Explosion-tested version	no
Flame-resistant	Acc. to VDE 0471/DIN 695 Part 2-1, test temperature 960 °C
Shape	Rectangular
Maintain electrical functions	Without
For Ex zone	Without
For Ex zone gas	Without
For Ex zone dust	Without
Fibre-glass reinforced	yes
Halogen-free	yes
Clear internal dimensions	267x182x110 mm
With screening	no
with lid	yes
Mounting type	Wall/ceiling mounting
Nominal cross-section, min.	35 mm ²
Nominal voltage	500 V
Sealable	yes
Protection rating	IP66
Protection rating IK code	IK05.
Permitted temperature range, max.	60 °C
Permitted temperature range, min.	-5 °C
Transparent lid	no
Weatherproof	no