

Technical data sheet

Junction box T250, closed, transparent elevated cover

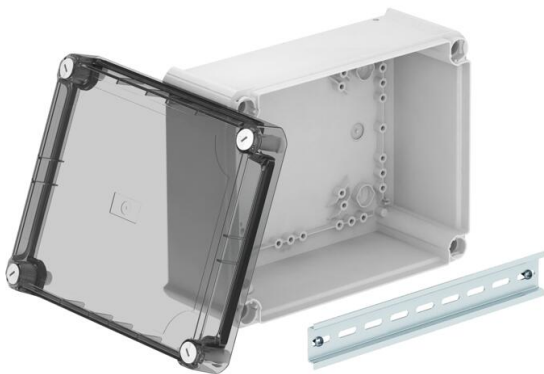
Item number: 2007776



Closed junction box for the connection of cables in indoor and protected outdoor areas. Rectangular design without entries. Suitable for wall and ceiling mounting, on mounting panels and threads in the floor. With the option of fastening inside and to mount via the corner domes. High, transparent cover with quick lock, sealable. Made from halogen-free, UV-resistant materials.

With hat profile rail.

Junction box according to DIN EN 60670. Flame-resistant to DIN EN 60695/2/11, test temperature 650°C. Impact resistance IK05 according to DIN EN 50102. Clear internal dimensions: 225x173x102 mm



PP/PC Polypropylene / polycarbonate

Master data

Item number	2007776
Type	T 250 OE HD TR
Description 1	Junction box, closed
Description 2	with high transparent cover
Manufacturer	OBO
Dimension	240x190x115
Colour	Light grey; RAL 7035
Material	Polypropylene / polycarbonate
Smallest sales unit	1
Unit of quantity	Piece
Weight	50.57 kg
Weight unit	kg/100 pc.
CO2 Footprint (GWP) Cradle-to-Gate	2,3761 kg CO2e / 1 Piece

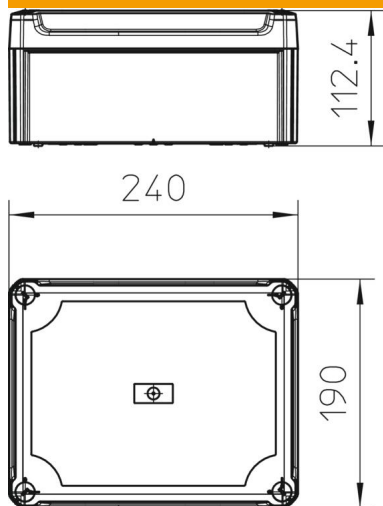
Technical data sheet

Junction box T250, closed, transparent elevated cover



Item number: 2007776

Dimensions



Length	240 mm
Width	190 mm
Height	112 mm

Technical data

Expandable	yes
Type of entry	None
Type of entry	Cable
Type of housing penetration	Without
Measured insulation voltage V_i	500 V
Equipment	Support rail
Cover	Transparent
Cover fastening	Screwed
Entry from rear	yes
Entries	None
Explosion-tested version	no
Flame-resistant	acc. to VDE 0471/DIN 695 Part 2-1, test temperature 650°C
Shape	Rectangular
Maintain electrical functions	Without
For Ex zone	Without
For Ex zone gas	Without
For Ex zone dust	Without
Fibre-glass reinforced	yes
Halogen-free	yes
Clear internal dimensions	225x173x102 mm
With screening	no
with lid	yes
Mounting type	Wall/ceiling mounting
Nominal voltage	500 V
Sealable	yes
Protection rating	IP66
Protection rating IK code	IK05.
Permitted temperature range, max.	60 °C
Permitted temperature range, min.	-5 °C

Technical data sheet

Junction box T250, closed, transparent elevated cover

Item number: 2007776



Technical data

Transparent lid	yes
Weatherproof	no