

Technical data sheet

Distribution box, 9 division units, with terminal strip, polystyrene

Item number: 2008808



Distribution box with terminal strip for surface mounting, for the current sub-distribution in interior and protected exterior areas, in accordance with IEC 439-3. With pre-mounted 35 mm hat profile rail. IP66 protection type and IK07 protection rating. Transparent cover to screw on, with cut-out.

- Protection-insulated for a maximum of 9 division units
- Terminal strip set consisting of: Two each of: PE/N terminals with 4x 16 mm² screw terminals, mini hat profile rail, mounting instructions and fastening set
- Identification plates for connected consumers
- 6 elastic cable entries Ø20 mm for cable diameters of 0-17 mm
- 1 elastic cable entry Ø25 mm for cable diameters of 0-22 mm
- 1 elastic cable entry Ø32 mm for cable diameters of 0-28 mm
- 8 Ø 20 mm break-out openings each at the top and bottom
- 1 Ø 20/25/32 mm combination break-out opening each at the top and bottom
- 4 screw cover caps

Nominal current 63 A
Power loss at 40 K 20.7 W



PS Polystyrene

Master data

Item number	2008808
Type	SDB 09 PS
Description 1	Small distributor
Description 2	for max. 9 distribution units
Manufacturer	OBO
Dimension	240x191x125
Colour	Light grey; RAL 7035
Material	Polystyrene
Smallest sales unit	1
Unit of quantity	Piece
Weight	110 kg
Weight unit	kg/100 pc.
CO2 Footprint (GWP) Cradle-to-Gate	3,9546 kg CO2e / 1 Piece

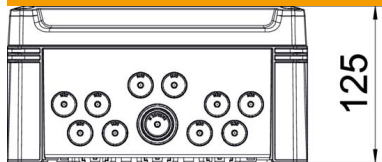
Technical data sheet

Distribution box, 9 division units, with terminal strip, polystyrene

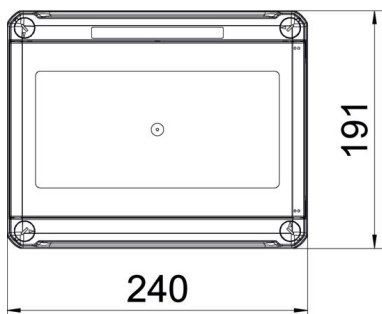
Item number: 2008808



Dimensions



Length	241 mm
Width	191 mm
Height	126 mm



Technical data

Extension option	yes
Number of rows	1
Cover type	Cover
Version, small distributor cover	With cut-out
DIN rail	yes
Installation location	Internal
EMC version	no
Glow wire test	650 °C
Terminals	Connector
With mounting plate	no
With lock	no
Mounting type, consumer units	Structure
Nominal insulating voltage AC	1000 V
Nominal insulating voltage DC	1500 V
Nominal voltage	400 V
Nominal current	63 A
Protection rating	IP66
Protection rating IK code	IK07.
Transparent lid	yes