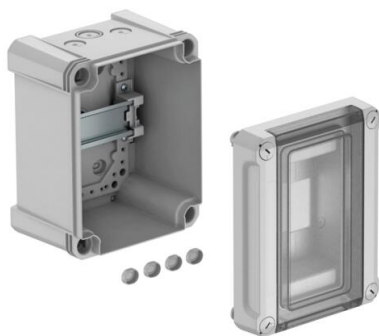


# Technical data sheet

## Distribution box, 3 division units, empty, polystyrene

Item number: 2008820



Distribution box for surface mounting, for the current sub-distribution in interior and protected exterior areas, in accordance with IEC 439-3. With pre-mounted 35 mm hat profile rail. IP66 protection type and IK07 protection rating. Transparent cover to screw on, with cut-out.

- Protection-insulated for a maximum of 3 division units
  - 2 Ø 20 mm break-out openings each at the top and bottom
  - 1 Ø 20/25 mm combination break-out opening each at the top and bottom
  - 4 screw cover caps
- The PS small distributors are suitable for mounting in interiors and in protected exteriors.  
Nominal current 40 A  
Power loss at 40 K 17 W  
Measured voltage Un: 400 V  
Operating measured voltage Ue: 400 V  
Impulse current resistance Cat.III Uimp: 4 kV



PS Polystyrene

### Master data

Item number	2008820
Type	SDB 03L PS
Description 1	Small distributor
Description 2	no terminal strip, for 3 units
Manufacturer	OBO
Dimension	150x190x125
Colour	Light grey; RAL 7035
Material	Polystyrene
Smallest sales unit	1
Unit of quantity	Piece
Weight	69 kg
Weight unit	kg/100 pc.
CO2 Footprint (GWP) Cradle-to-Gate	2,3856 kg CO2e / 1 Piece

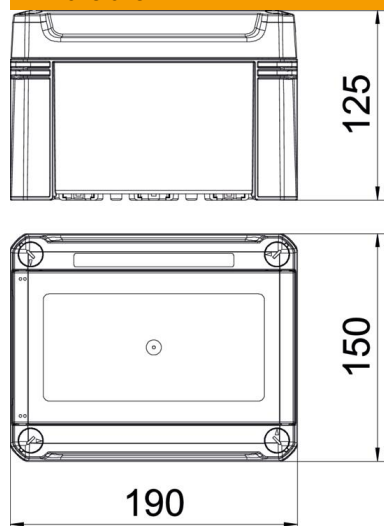
# Technical data sheet

Distribution box, 3 division units, empty, polystyrene



Item number: 2008820

## Dimensions



Length	191 mm
Width	151 mm
Height	126 mm

## Technical data

Extension option	yes
Number of rows	1
Cover type	Cover
Version, small distributor cover	With cut-out
DIN rail	yes
Installation location	Internal
EMC version	no
Glow wire test	650 °C
With mounting plate	no
With lock	no
Mounting type, consumer units	Structure
Nominal insulating voltage AC	1000 V
Nominal insulating voltage DC	1500 V
Nominal voltage	400 V
Nominal current	40 A
Protection rating	IP66
Protection rating IK code	IK07.
Transparent lid	yes