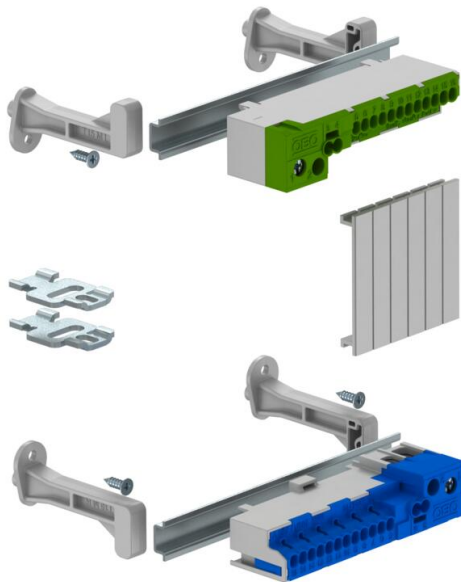


Technical data sheet

Terminal strip set with screwless terminals for SDB 03

Item number: 2008910



Terminal strip set for the small distributors of the SDB series. The sets can be used to expand and equip the empty small distributors of the SDB 03... type series.

The terminal strip set with screwless terminals contains:

Mounting instructions; cover strip; hat rail with corresponding support and fastening material; one protective conductor terminal and one neutral conductor terminal each with two 16/25 mm² screw terminals and 2x 4 mm² and 12x 2.5 mm² screwless terminals



Master data

Item number	2008910
Type	KLS-SDB 03S
Description 1	Terminal strip pack
Description 2	with screwless terminals
Manufacturer	OBO
Dimension	82x15x4
Smallest sales unit	1
Unit of quantity	Piece
Weight	19.33 kg
Weight unit	kg/100 pc.
CO2 Footprint (GWP) Cradle-to-Gate	1,0288 kg CO2e / 1 Piece

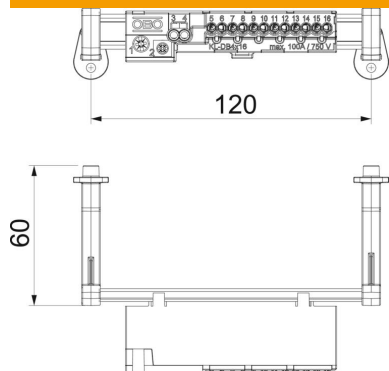
Technical data sheet

Terminal strip set with screwless terminals for SDB 03

Item number: 2008910



Dimensions



Length	122 mm
Width	15 mm
Height	4 mm

Technical data

Nominal cross-section, max.	16 mm ²
Nominal cross-section, min.	6 mm ²
Nominal voltage	450 V
Nominal current	100 A