

# Technical data sheet

## Terminal strip 1–4 mm<sup>2</sup>, junction box, T series

Item number: 2016180



Terminals and screws made of steel, galvanised and transparent-chromated, nominal cross-section 1 ÷ 4 mm<sup>2</sup>, rated voltage 400 V, five-pole, with socket terminals, max. connectable cross-sections per terminal: 4x2.5 mm<sup>2</sup>, 5x1.5 mm<sup>2</sup> or 6x1 mm<sup>2</sup>.

System accessories for T25; T40 junction box



PA Polyamide

### Master data

Item number	2016180
Type	KL-T 01-04
Description 1	Terminal strip
Manufacturer	OBO
Dimension	4mm <sup>2</sup>
Colour	Light grey
Material	Polyamide
Smallest sales unit	10
Unit of quantity	Piece
Weight	2.1 kg
Weight unit	kg/100 pc.
CO <sub>2</sub> Footprint (GWP) Cradle-to-Gate	0,0989 kg CO <sub>2</sub> e / 1 Piece

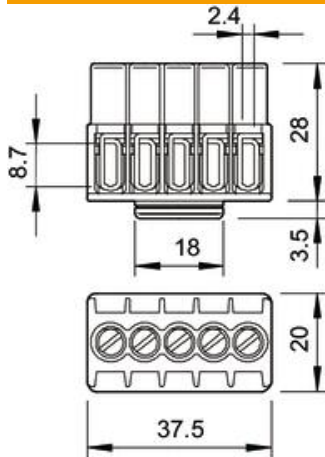
# Technical data sheet

## Terminal strip 1–4 mm<sup>2</sup>, junction box, T series

Item number: 2016180



### Dimensions



Length	37.5 mm
Width	20 mm
Height	28 mm

### Technical data

Closing plate required	no
Connectable conductor cross-section, single-wire, max.	4 mm <sup>2</sup>
Connectable conductor cross-section, single-wire, min.	1 mm <sup>2</sup>
Connection position	Side
No. of terminals	5
Number of screwless terminals per pole	1
Version of electrical connection 1	Screw connection
Explosion-tested version	no
Insulation material	Thermoplast
Mounting type	Miscellaneous
Nominal cross-section, max.	4 mm <sup>2</sup>
Nominal cross-section, min.	1 mm <sup>2</sup>
Nominal voltage	400 V
Nominal current	32 A
Pole number	5
Cross-section	Max. connectable cross-sections per terminal max. 4 x 2.5 mm <sup>2</sup> , 5 x 1.5 mm <sup>2</sup> or 6 x 1 mm <sup>2</sup> mm <sup>2</sup>
Transparent	no