

Technical data sheet

Terminal strip 1.5–6 mm², junction box, T series

Item number: 2016185



Terminals and screws made of steel, galvanised and transparent-chromated, nominal cross-section 1.5 ÷ 6 mm², rated voltage 400 V, five-pole, with socket terminals, max. connectable cross-sections per terminal: 3x6 mm², 4x4 mm² or 6x2.5 mm².

System accessories for B9/TM; T60 junction box



PA Polyamide

Master data

| | |
|------------------------------------|--------------------------|
| Item number | 2016185 |
| Type | KL-T 02-06 |
| Description 1 | Terminal strip |
| Manufacturer | OBO |
| Dimension | 6mm ² |
| Colour | Light grey |
| Material | Polyamide |
| Smallest sales unit | 10 |
| Unit of quantity | Piece |
| Weight | 4.38 kg |
| Weight unit | kg/100 pc. |
| CO2 Footprint (GWP) Cradle-to-Gate | 0,1677 kg CO2e / 1 Piece |

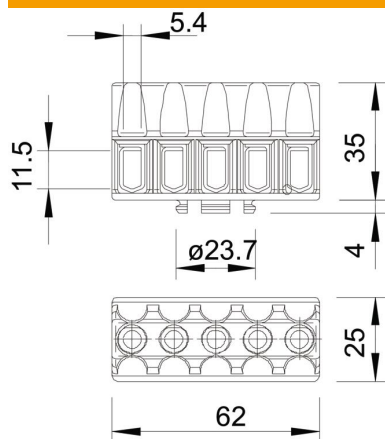
Technical data sheet

Terminal strip 1.5–6 mm², junction box, T series

Item number: 2016185



Dimensions



| | |
|--------|-------|
| Length | 62 mm |
| Width | 25 mm |
| Height | 35 mm |

Technical data

| | |
|--|--|
| Closing plate required | no |
| Connectable conductor cross-section, single-wire, max. | 6 mm ² |
| Connectable conductor cross-section, single-wire, min. | 2.5 mm ² |
| Connection position | Side |
| No. of terminals | 5 |
| Number of screwless terminals per pole | 1 |
| Version of electrical connection 1 | Screw connection |
| Explosion-tested version | no |
| Insulation material | Thermoplast |
| Mounting type | Miscellaneous |
| Nominal cross-section, max. | 6 mm ² |
| Nominal cross-section, min. | 1.5 mm ² |
| Nominal voltage | 400 V |
| Nominal current | 41 A |
| Pole number | 5 |
| Cross-section | Max. connectable cross-sections per terminal: 3 x 6 mm ² , 4 x 4 mm ² or 6 x 2.5 mm ² mm ² |
| Transparent | no |