

Technical data sheet

Protective conductor terminal, with screw contacts, 4 terminals

Item number: 2016250



Protective conductor connection terminal strip, brass, steel screws, electrogalvanised and transparently passivated, nominal cross-section $6 \div 16 \text{ mm}^2$, nominal voltage 400 V, 1-pole, with terminal sockets, max. connectable conductors per terminal $4 \times 16 \text{ mm}^2$, $4 \times 10 \text{ mm}^2$, $8 \times 6 \text{ mm}^2$ or $12 \times 4 \text{ mm}^2$.



PA Polyamide

Master data

Item number	2016250
Type	KL-DBS4x16GN
Description 1	Protective conductor terminal
Description 2	with screw contacts
Manufacturer	OBO
Dimension	4x16mm ²
Colour	Green
Material	Polyamide
Smallest sales unit	10
Unit of quantity	Piece
Weight	1.98 kg
Weight unit	kg/100 pc.
CO2 Footprint (GWP) Cradle-to-Gate	0,0975 kg CO2e / 1 Piece

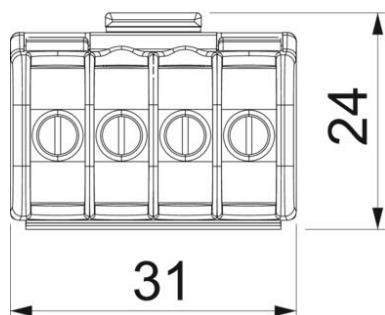
Technical data sheet

Protective conductor terminal, with screw contacts, 4 terminals

Item number: 2016250



Dimensions



Technical data

Connectable conductor cross-section, single-wire, max.	16 mm ²
Connectable conductor cross-section, single-wire, min.	4 mm ²
Connection position	Side
No. of terminals	4
Number of screwless terminals per pole	1
Version of electrical connection 1	Screw connection
Insulation material	Thermoplast
Mounting type	Miscellaneous
Nominal cross-section, max.	16 mm ²
Nominal cross-section, min.	6 mm ²
Nominal voltage	400 V
Nominal current	76 A
Pole number	1
Cross-section	max. connectable conductors per terminal max. 4 x 16 mm ² , 4 x 10 mm ² , 8x6 mm ² or 12 x 4 mm ² mm ²