

Technical data sheet

Twin cable gland, metric thread, light grey

Item number: 2024063



IP54 protection rating, with removable polystyrene lid, as well as two connection thread sealing rings made of polyethylene.

With connection thread M20 x 1.5, 2 half glands PG 13.5 for cable diameter 6.5–10.5 mm.

113/M20: with connection thread M20 x 1.5, 2 half glands Pg 13.5 for cable diameter 6.5–10.5 mm.



Duroplast, Aminoplast

Master data

Item number	2024063
Type	113 M20 LGR
Description 1	Twin cable threaded connection
Manufacturer	OBO
Dimension	M20
Colour	Light grey; RAL 7035
Material	Duroplast, Aminoplast Typ 131.5
Smallest sales unit	5
Unit of quantity	Piece
Weight	3.701 kg
Weight unit	kg/100 pc.
CO2 Footprint (GWP) Cradle-to-Gate	0,2192 kg CO2e / 1 Piece

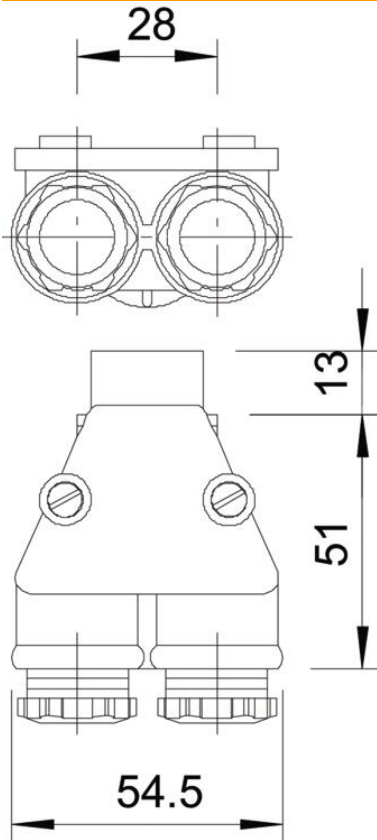
Technical data sheet

Twin cable gland, metric thread, light grey

Item number: 2024063



Dimensions



Technical data

Version for	Straight
Bend protection	no
Sealing area D, max.	10.5 mm
Sealing area D, min.	6.5 mm
explosion-proof	no
Flat cable gland	no
Flame-resistant	acc. to VDE 0471/DIN 695 Part 2-1, test temperature 650°C
For Ex zone	Without
Thread	M 20 x 1,5
Thread type	Metric
Fibre-glass reinforced	no
Halogen-free	yes
Sealing insert, multiple	no
With locknut	no
Impact-resistant	no
Protection rating	IP54
Splittable gland	no
Strain relief option	no