

# Technical data sheet

## Adapter PG-M

Item number: 2031465



Adapter for converting a Pg threaded drill hole to a metric threaded drill hole.



PA Polyamide

### Master data

|                                    |                          |
|------------------------------------|--------------------------|
| Item number                        | 2031465                  |
| Type                               | 107 ADA PG7-M12          |
| Description 1                      | Adapter                  |
| Description 2                      | PG - M                   |
| Manufacturer                       | OBO                      |
| Dimension                          | PG7-M12                  |
| Colour                             | Light grey; RAL 7035     |
| Material                           | Polyamide                |
| Smallest sales unit                | 20                       |
| Unit of quantity                   | Piece                    |
| Weight                             | 0.194 kg                 |
| Weight unit                        | kg/100 pc.               |
| CO2 Footprint (GWP) Cradle-to-Gate | 0,0172 kg CO2e / 1 Piece |

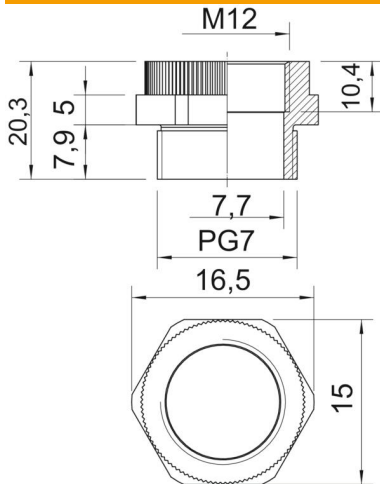
# Technical data sheet

## Adapter PG-M

Item number: 2031465



### Dimensions



|              |         |
|--------------|---------|
| Dimension D  | 7.7 mm  |
| Dimension E  | 16.5 mm |
| Dimension L  | 20.3 mm |
| Dimension L1 | 7.9 mm  |
| Dimension L2 | 5 mm    |
| Dimension L3 | 10.4 mm |

### Technical data

|                                    |        |
|------------------------------------|--------|
| explosion-proof                    | no     |
| Thread type: External thread       | PG     |
| Thread type: Internal thread       | Metric |
| Thread dimension, metric, internal | 12     |
| Thread dimension, PG, external     | 7      |
| WAF                                | 15     |
| Nickel-plated                      | no     |