

Technical data sheet

Screw-in nipple, metric thread, with opening

Item number: 2032007



With open cable entry.

Grip seal to screw into metric thread end to IEC 423.

With self-sealing cone at the end of the thread, therefore no connection thread sealing ring required.

Protection rating achievable with careful mounting: IP54.
With open cable entry.



PE Polyethylene

Master data

Item number	2032007
Type	90 M12 OF
Description 1	Screw-in nipple
Description 2	open version
Manufacturer	OBO
Dimension	M12
Colour	Light grey; RAL 7035
Material	Polyethylene
Smallest sales unit	100
Unit of quantity	Piece
Weight	0.17 kg
Weight unit	kg/100 pc.
CO2 Footprint (GWP) Cradle-to-Gate	0,0028 kg CO2e / 1 Piece

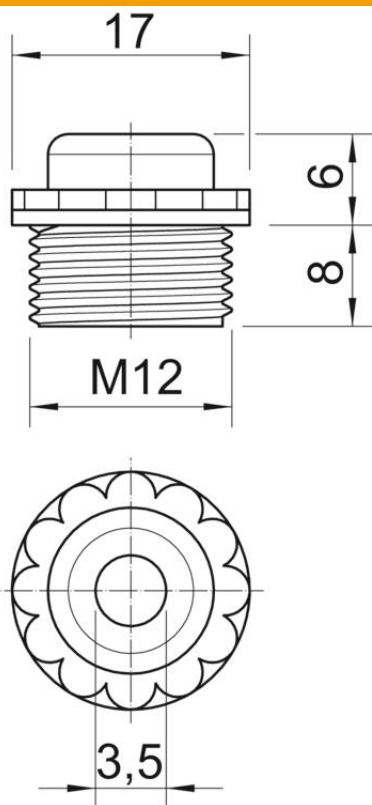
Technical data sheet

Screw-in nipple, metric thread, with opening

Item number: 2032007



Dimensions



Dimension D	3.5 mm
Dimension E	17 mm
Dimension L1	8 mm
Dimension L2	6 mm

Technical data

Thread length	8 mm
Size	M12
Halogen-free	yes
WAF	13
Protection rating	IP54