

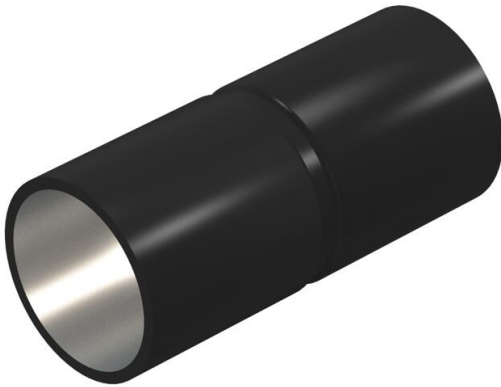
# Technical data sheet

Armoured steel pipe connection sleeve without thread, black

Item number: 2046582



Accessory part: plug-in sleeve for the connections between electrical installation pipes. With burr-free inner wall.



- St** Steel
- PE50** PES50 - Polyester/epoxy

## Master data

Item number	2046582
Type	SV16W SW
Description 1	Conduit plug-in coupler
Description 2	without thread
Manufacturer	OBO
Dimension	Ø16mm
Colour	Jet black; RAL 9005
Material	Steel
Surface	PES50 - Polyester/epoxy
Surface standard	
Smallest sales unit	25
Unit of quantity	Piece
Weight	2.4 kg
Weight unit	kg/100 pc.
CO2 Footprint (GWP) Cradle-to-Gate	0,081 kg CO2e / 1 Piece

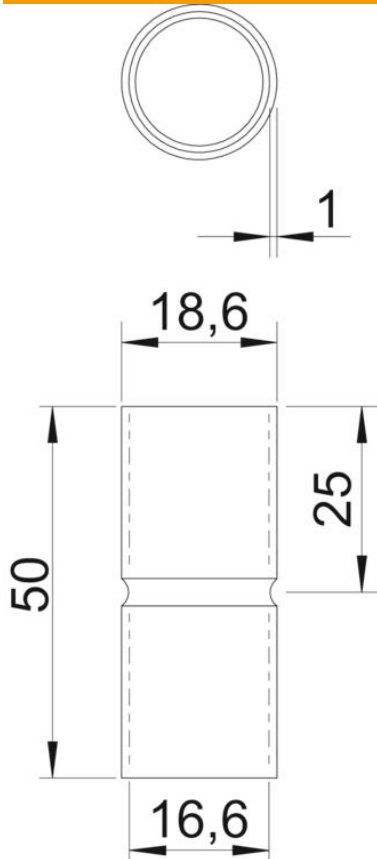
# Technical data sheet

Armoured steel pipe connection sleeve without thread, black

Item number: 2046582



## Dimensions



Length	50 mm
Dimension D	18.6 mm
Dimension d	16.6 mm
Dimension L	50 mm
Dimension l	25 mm
Dimension m (mm)	M16
Dimension t	1 mm

## Technical data

Version for pipe diameter	16 mm
Size	16
Halogen-free	yes
With inspection opening and lid	no
Brushed surface	no
Polished surface	no
Permitted temperature range, max.	400 °C
Permitted temperature range, min.	-45 °C
Two-part	no