

# Technical data sheet

## Stainless steel sleeve V4A

Item number: 2046770



Accessory part: plug-in sleeve for the connections between electrical installation pipes. With burr-free inner wall.



**A4** Stainless steel

**2B** Bright, treated

### Master data

Item number	2046770
Type	SV16W A4
Description 1	Stainl.steel connection sleeve
Description 2	without thread
Manufacturer	OBO
Dimension	Ø16mm
Material	Stainless steel 1.4571
Surface	Bright, treated
Surface standard	
Smallest sales unit	10
Unit of quantity	Piece
Weight	2.1 kg
Weight unit	kg/100 pc.
CO2 Footprint (GWP) Cradle-to-Gate	0,1211 kg CO2e / 1 Piece

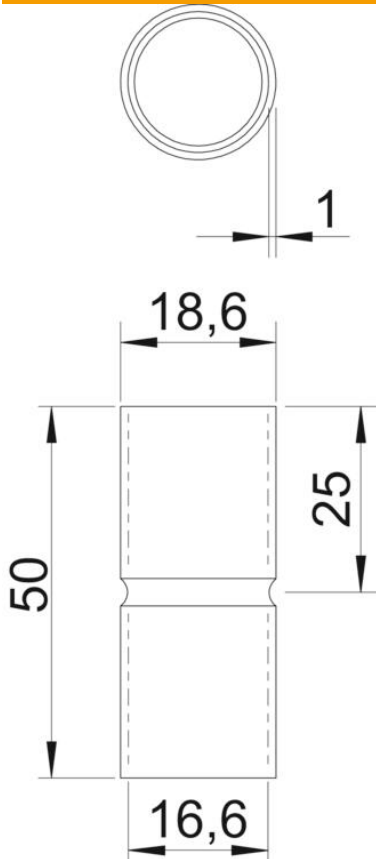
# Technical data sheet

## Stainless steel sleeve V4A

Item number: 2046770



### Dimensions



Length	50 mm
Dimension D	18.2 mm
Dimension d	16.2 mm
Dimension L	50 mm
Dimension l	25 mm
Dimension m (mm)	M16
Dimension t	1 mm

### Technical data

Version for pipe diameter	16 mm
Size	16
Halogen-free	yes
With inspection opening and lid	no
Brushed surface	yes
Polished surface	no
Permitted temperature range, max.	400 °C
Permitted temperature range, min.	-45 °C
Two-part	no