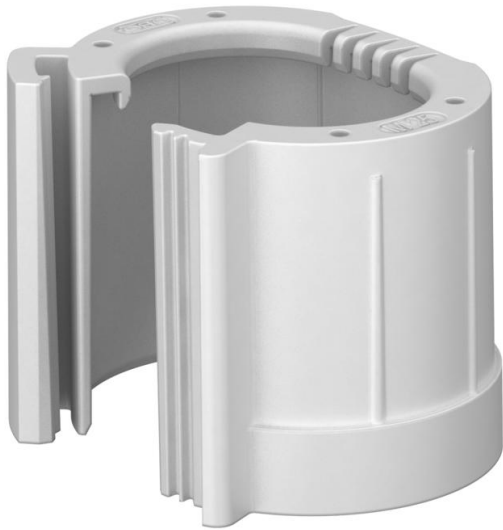


Technical data sheet

Pipe end cap, splittable, metric, light grey

Item number: 2047863



Separable pipe end cap to slot onto metric electrical installation pipes. The separable pipe end cap can be used for repairs on existing installations according to regulations. It is not necessary to disconnect the cables, allowing quick mounting.



PE Polyethylene

Master data

Item number	2047863
Type	129 TB M40
Description 1	Pipe end sleeve, separable
Description 2	metric
Manufacturer	OBO
Dimension	M40
Colour	Light grey; RAL 7035
Material	Polyethylene
Smallest sales unit	30
Unit of quantity	Piece
Weight	0.79 kg
Weight unit	kg/100 pc.
CO2 Footprint (GWP) Cradle-to-Gate	0,031 kg CO2e / 1 Piece

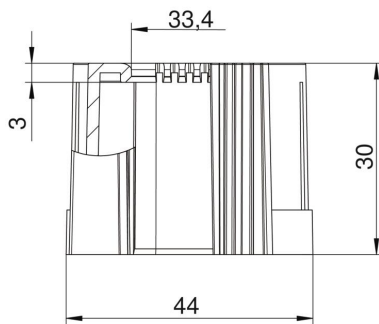
Technical data sheet

Pipe end cap, splittable, metric, light grey

Item number: 2047863



Dimensions



Dimension D1	44 mm
Dimension D2	33.4 mm
Dimension L1	30 mm
Dimension L2	3 mm

Technical data

Version for pipe diameter	Connector
Size	40 mm
Halogen-free	M40
Brushed surface	yes
Polished surface	no